


**APPROVALS**




 **ENGINEERING CODE**  
268BA51

 **APPROVED REFRIGERANT**  
R-134a


 **POWER SUPPLY**  
220-240 V 50 Hz

 **STANDARD CONDITIONS**  
EN12900

 **APPLICATION**  
HBP

 **COOLING CAPACITY**  
1010 W (HBP)

 **EFFICIENCY**  
2.2 W/W (HBP)

 **MOTOR TYPE**  
CSIR

 **STARTING TORQUE**  
HST

**DATA**

**General Data**

Type	Hermetic reciprocating
Technology Type	On-Off
Displacement	12.11 cm <sup>3</sup>
Compressor Cooling	Fan/NotControlled/220
Fan Air Flow	520 m <sup>3</sup> /h
Expansion Device	Capillary Tube or Expansion Valve
Horse Power	1/3 hp
Max Condensing Pressure Operating	13.92 bar
Max Condensing Pressure Peak	15.62 bar
Power Supply	220-240 V 50 Hz
Evaporating Temperature Range	-15 °C to 10 °C

**Electrical Data**

Motor type	CSIR
Starting Torque	HST
Start Winding Resistance	31.7 Ω at 25° C
Run Winding Resistance	5.18 Ω at 25° C

## Mechanical Data

Maximum Recommended Refrigerant Charge	350 g
Oil Charge	350 ml
Oil Type Configuration	ESTER
Oil Type Viscosity	ISO22
Pressurization	Dry air charge
Weight	11 Kg
Free Internal Volume	2.1 L

## Electrical Components

	Description
Start Capacitor	53-64 Uf / 330 V
Starting Device	Relay   MTRP-0029*
Motor Protection	T0660/G5

## External Characteristics

Base Plate	European	
Tray Holder	No	
Height	200 mm	
Connector	Internal Diameter	Shape
Suction	8.1 mm	Slanted 42°/Copper
Discharge	6.1 mm	Straight/Copper
Process	6.1 mm	Slanted 42°/Copper

## PERFORMANCE

## Rated Points

Condensing Temperature	Evaporating Temperature	Cooling Capacity	Power Consumption	Gas Flow Rate	Efficiency
50.00°C	5.00°C	1010 W	459 W	25.41 kg/h	2.2 W/W

Test Condition: EN12900HBP, Fan/NotControlled/220, Return Gas 20°C, Evaporation 5.00°C, Condensing 50.00°C, Ambient 35°C, Liquid 50°C, Subcooling 0K. Data are an indication of performance based simulation.

## Performance Curve Data

### Condensing Temperature 35°C

Evaporating Temperature °C	Cooling Capacity W	Power W	Gas Flow Rate kg/h	Efficiency W/W
-15	530	270	11.23	1.97
-10	663	299	14.11	2.22
-5	822	328	17.56	2.5
0	1010	357	21.71	2.83
5	1230	387	26.65	3.18
10	1486	418	32.50	3.56

Test Condition: EN12900HBP, Fan/NotControlled/220, Return Gas 20°C, Ambient 35°C, Subcooling OK. Data are an indication of performance based simulation.

### Condensing Temperature 45°C

Evaporating Temperature °C	Cooling Capacity W	Power W	Gas Flow Rate kg/h	Efficiency W/W
-15	457	285	10.61	1.61
-10	583	323	13.59	1.8
-5	728	361	17.08	2.02
0	896	398	21.17	2.25
5	1091	436	25.98	2.5
10	1316	474	31.63	2.77

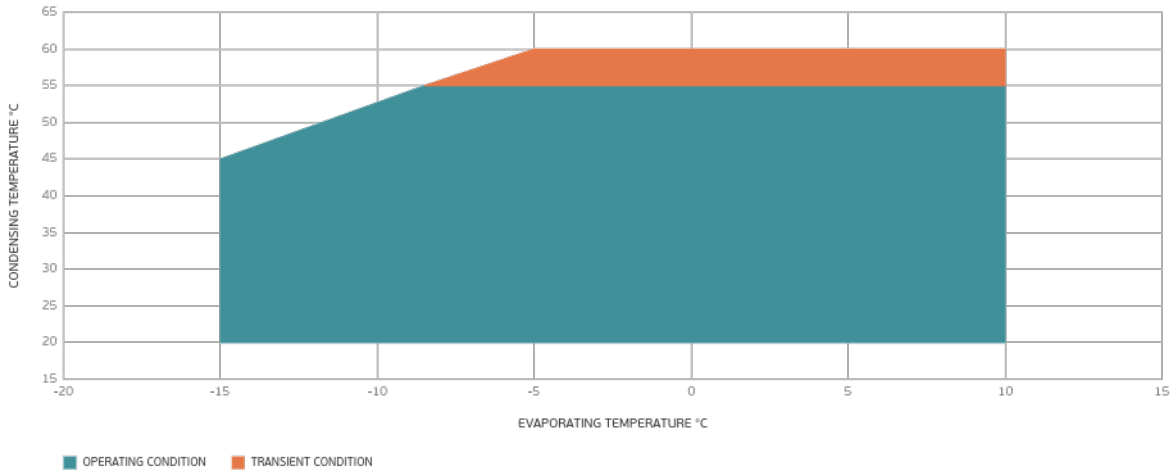
Test Condition: EN12900HBP, Fan/NotControlled/220, Return Gas 20°C, Ambient 35°C, Subcooling OK. Data are an indication of performance based simulation.

### Condensing Temperature 55°C

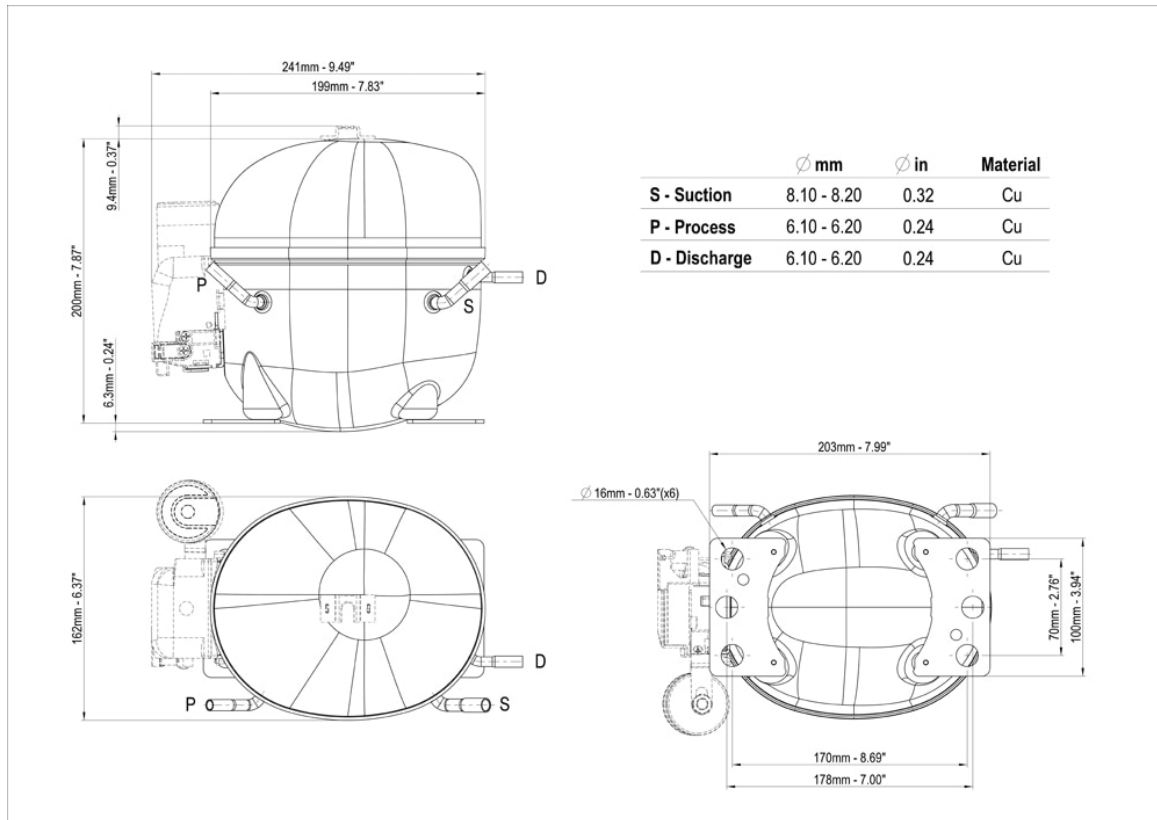
Evaporating Temperature °C	Cooling Capacity W	Power W	Gas Flow Rate kg/h	Efficiency W/W
-10	476	340	12.34	1.4
-5	610	385	15.92	1.59
0	762	429	20.04	1.78
5	934	473	24.80	1.98
10	1130	517	30.31	2.19

Test Condition: EN12900HBP, Fan/NotControlled/220, Return Gas 20°C, Ambient 35°C, Subcooling OK. Data are an indication of performance based simulation.

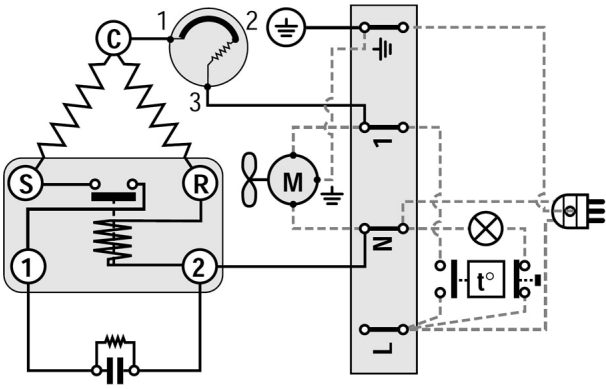
## Operating Envelope



## External Dimensions



## Wiring Diagram



## Assembly Instructions

