



**APPROVALS**




 **ENGINEERING CODE**  
269AA51


 **APPROVED REFRIGERANT**  
R-134a


 **POWER SUPPLY**  
220-240 V 50 Hz

 **STANDARD CONDITIONS**  
EN12900

 **APPLICATION**  
HBP

 **COOLING CAPACITY**  
1153 W (HBP)

 **EFFICIENCY**  
2 W/W (HBP)

 **MOTOR TYPE**  
CSIR

 **STARTING TORQUE**  
HST

**DATA**

**General Data**

Type	Hermetic reciprocating
Technology Type	On-Off
Displacement	14.28 cm <sup>3</sup>
Compressor Cooling	Fan/NotControlled/220
Fan Air Flow	520 m <sup>3</sup> /h
Expansion Device	Capillary Tube or Expansion Valve
Horse Power	1/2 hp
Max Condensing Pressure Operating	13.92 bar
Max Condensing Pressure Peak	15.62 bar
Power Supply	220-240 V 50 Hz
Evaporating Temperature Range	-15 °C to 10 °C

**Electrical Data**

Motor type	CSIR
Starting Torque	HST
Start Winding Resistance	27.95 Ω at 25° C
Run Winding Resistance	5.11 Ω at 25° C

## Mechanical Data

Maximum Recommended Refrigerant Charge	350 g
Oil Charge	350 ml
Oil Type Configuration	ESTER
Oil Type Viscosity	ISO22
Pressurization	Dry air charge
Weight	11.2 Kg
Free Internal Volume	2.1 L

## Electrical Components

	Description
Start Capacitor	72-88 Uf / 330 V
Starting Device	Relay   MTRP-0012*
Motor Protection	T0741/G6

## External Characteristics

Base Plate	European	
Tray Holder	No	
Height	206 mm	
Connector	Internal Diameter	Shape
Suction	8.1 mm	Slanted 42°/Copper
Discharge	6.1 mm	Straight/Copper
Process	6.1 mm	Slanted 42°/Copper

## PERFORMANCE

## Rated Points

Condensing Temperature	Evaporating Temperature	Cooling Capacity	Power Consumption	Gas Flow Rate	Efficiency
50.00°C	5.00°C	1153 W	576 W	29.01 kg/h	2 W/W

Test Condition: EN12900HBP, Fan/NotControlled/220, Return Gas 20°C, Evaporation 5.00°C, Condensing 50.00°C, Ambient 35°C, Liquid 50°C, Subcooling 0K. Data are an indication of performance based simulation.

## Performance Curve Data

### Condensing Temperature 35°C

Evaporating Temperature °C	Cooling Capacity W	Power W	Gas Flow Rate kg/h	Efficiency W/W
-15	600	351	12.69	1.71
-10	752	381	15.99	1.97
-5	935	415	19.99	2.25
0	1153	453	24.79	2.54
5	1408	496	30.52	2.84
10	1705	544	37.29	3.13

Test Condition: EN12900HBP, Fan/NotControlled/220, Return Gas 20°C, Ambient 35°C, Subcooling OK. Data are an indication of performance based simulation.

### Condensing Temperature 45°C

Evaporating Temperature °C	Cooling Capacity W	Power W	Gas Flow Rate kg/h	Efficiency W/W
-15	525	370	12.18	1.42
-10	662	410	15.43	1.61
-5	825	453	19.35	1.82
0	1018	499	24.05	2.04
5	1245	549	29.64	2.27
10	1508	602	36.25	2.5

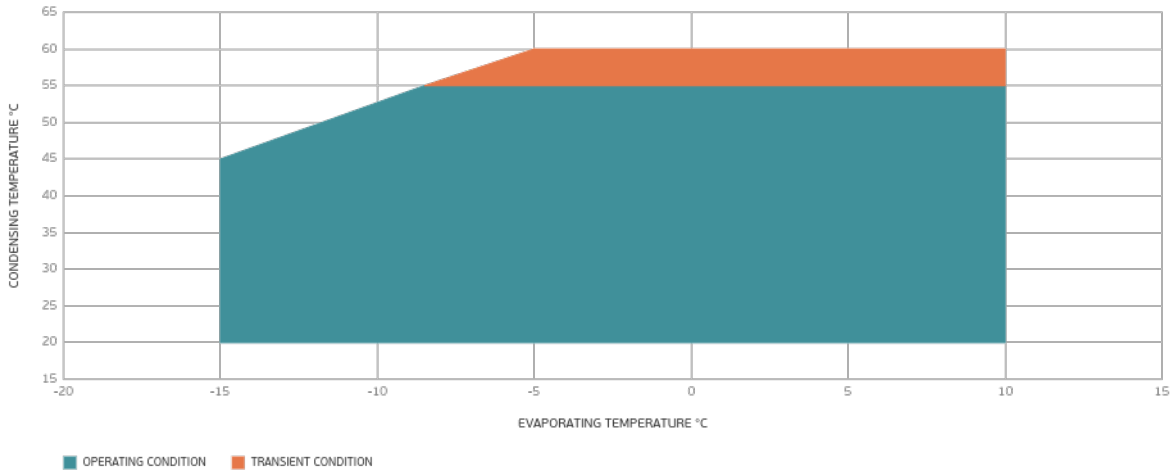
Test Condition: EN12900HBP, Fan/NotControlled/220, Return Gas 20°C, Ambient 35°C, Subcooling OK. Data are an indication of performance based simulation.

### Condensing Temperature 55°C

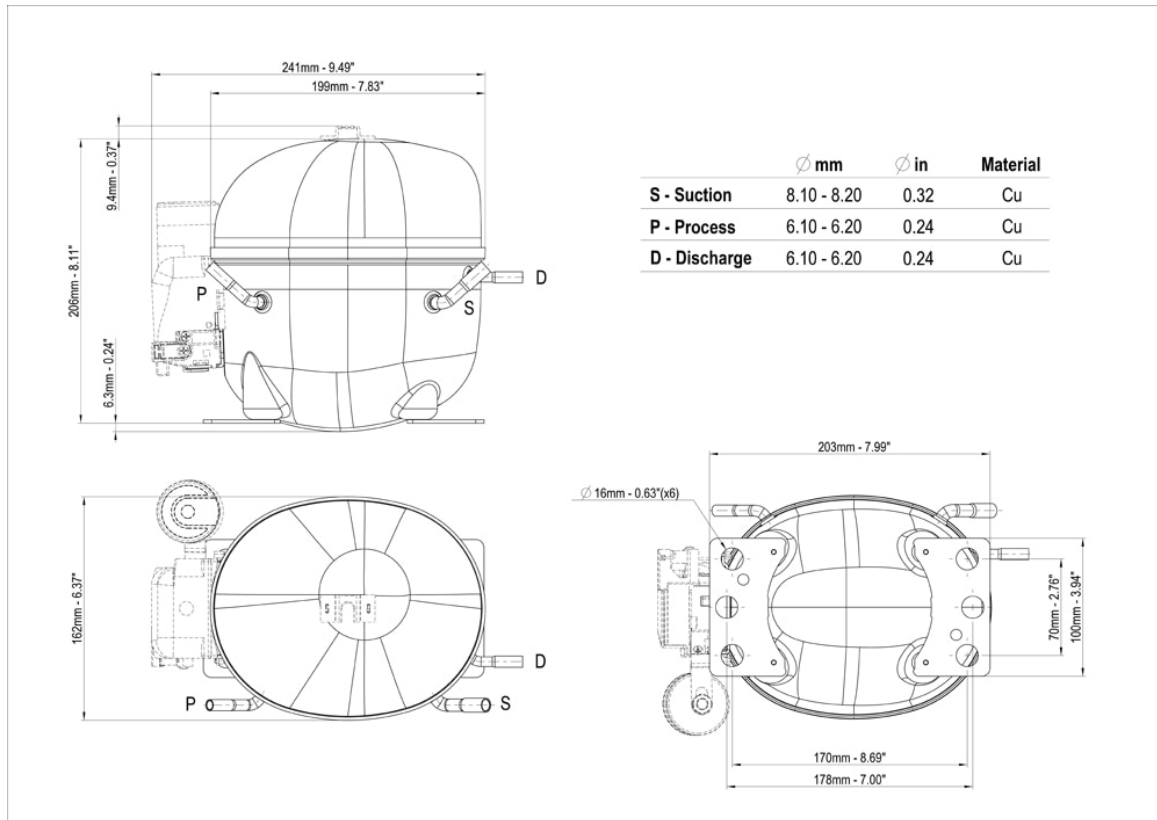
Evaporating Temperature °C	Cooling Capacity W	Power W	Gas Flow Rate kg/h	Efficiency W/W
-10	561	437	14.55	1.28
-5	705	488	18.39	1.44
0	874	541	22.99	1.62
5	1072	596	28.46	1.8
10	1302	654	34.91	1.99

Test Condition: EN12900HBP, Fan/NotControlled/220, Return Gas 20°C, Ambient 35°C, Subcooling OK. Data are an indication of performance based simulation.

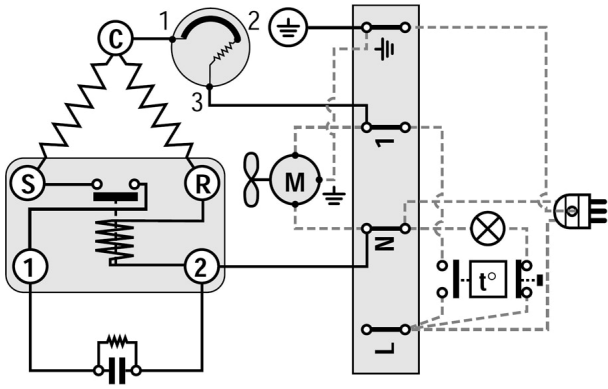
## Operating Envelope



## External Dimensions



## Wiring Diagram



## Assembly Instructions

