



APPROVALS



ENGINEERING CODE
922RA04

APPROVED REFRIGERANT
R-404A

POWER SUPPLY
220-240 V 50 Hz

STANDARD CONDITIONS
EN12900

APPLICATION
MBP

COOLING CAPACITY
1581 W (MBP)

EFFICIENCY
1.72 W/W (MBP)

MOTOR TYPE
CSCR

STARTING TORQUE
HST

DATA

General Data

Type	Hermetic reciprocating
Technology Type	On-Off
Displacement	20.44 cm ³
Compressor Cooling	Fan/NotControlled/220
Fan Air Flow	520 m ³ /h
Expansion Device	Capillary Tube or Expansion Valve
Horse Power	1 hp
Max Condensing Pressure Operating	24.71 bar
Max Condensing Pressure Peak	27.71 bar
Power Supply	220-240 V 50 Hz
Evaporating Temperature Range	-20 °C to 10 °C

Electrical Data

Motor type	CSCR
Starting Torque	HST
Start Winding Resistance	6.49 Ω at 25° C
Run Winding Resistance	1.69 Ω at 25° C

Mechanical Data

Maximum Recommended Refrigerant Charge	800 g
Oil Charge	450 ml
Oil Type Configuration	ESTER
Oil Type Viscosity	ISO22
Pressurization	Dry air charge
Weight	17.2 Kg
Free Internal Volume	3.3 L

Electrical Components

	Description
CSR / CSIR Box	YES
Run Capacitor	25
Motor Protection	MRA38112-3261
Start Capacitor	88-108 Uf/330 V
Starting Device	3ARR3B6AV3

External Characteristics

Base Plate	Universal	
Tray Holder	No	
Height	220 mm	
Connector	Internal Diameter	Shape
Suction	9.6 mm	Vertical/Copper
Discharge	6.42 mm	Vertical/Copper
Process	6.42 mm	Vertical/Copper

PERFORMANCE

Rated Points

Condensing Temperature	Evaporating Temperature	Cooling Capacity	Power Consumption	Gas Flow Rate	Efficiency
45.00°C	-10.00°C	1581 W	921 W	47.45 kg/h	1.72 W/W

Test Condition: EN12900MBP, Fan/NotControlled/220, Return Gas 20°C, Evaporation -10.00°C, Condensing 45.00°C, Ambient 35°C, Liquid 45°C, Subcooling OK. Data are an indication of performance based simulation.

Performance Curve Data

Condensing Temperature 35°C

Evaporating Temperature °C	Cooling Capacity W	Power W	Gas Flow Rate kg/h	Efficiency W/W
-20	1217	741	31.50	1.64
-15	1541	800	40.32	1.93
-10	1920	858	50.64	2.24
-5	2353	913	62.67	2.58
0	2840	967	76.58	2.94
5	3380	1018	92.57	3.32
10	3975	1066	110.82	3.73

Test Condition: EN12900MBP, Fan/NotControlled/220, Return Gas 20°C, Ambient 35°C, Subcooling OK. Data are an indication of performance based simulation.

Condensing Temperature 45°C

Evaporating Temperature °C	Cooling Capacity W	Power W	Gas Flow Rate kg/h	Efficiency W/W
-20	991	773	29.22	1.28
-15	1262	847	37.55	1.49
-10	1581	921	47.45	1.72
-5	1947	994	59.12	1.96
0	2360	1066	72.75	2.21
5	2821	1137	88.52	2.48
10	3329	1205	106.62	2.76

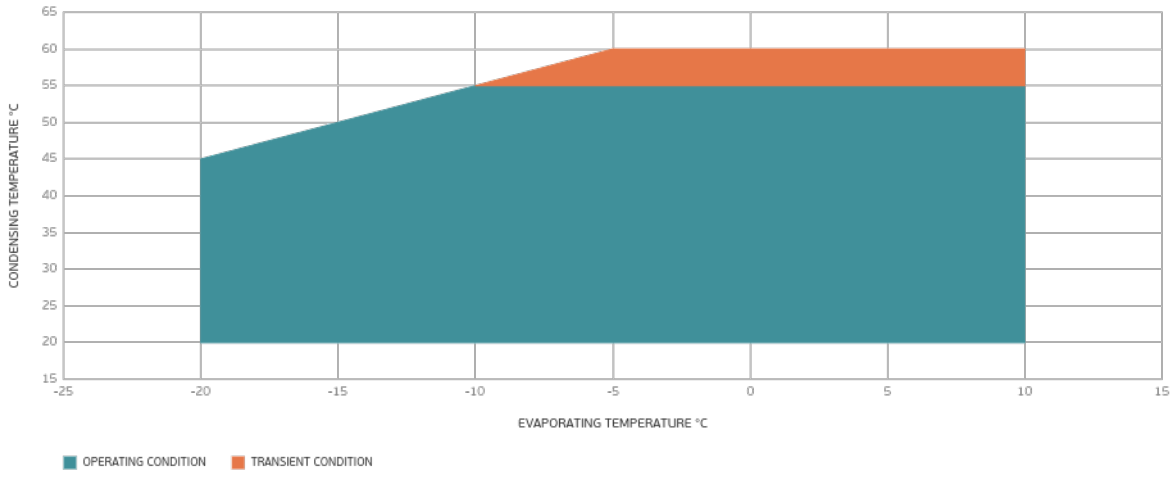
Test Condition: EN12900MBP, Fan/NotControlled/220, Return Gas 20°C, Ambient 35°C, Subcooling OK. Data are an indication of performance based simulation.

Condensing Temperature 55°C

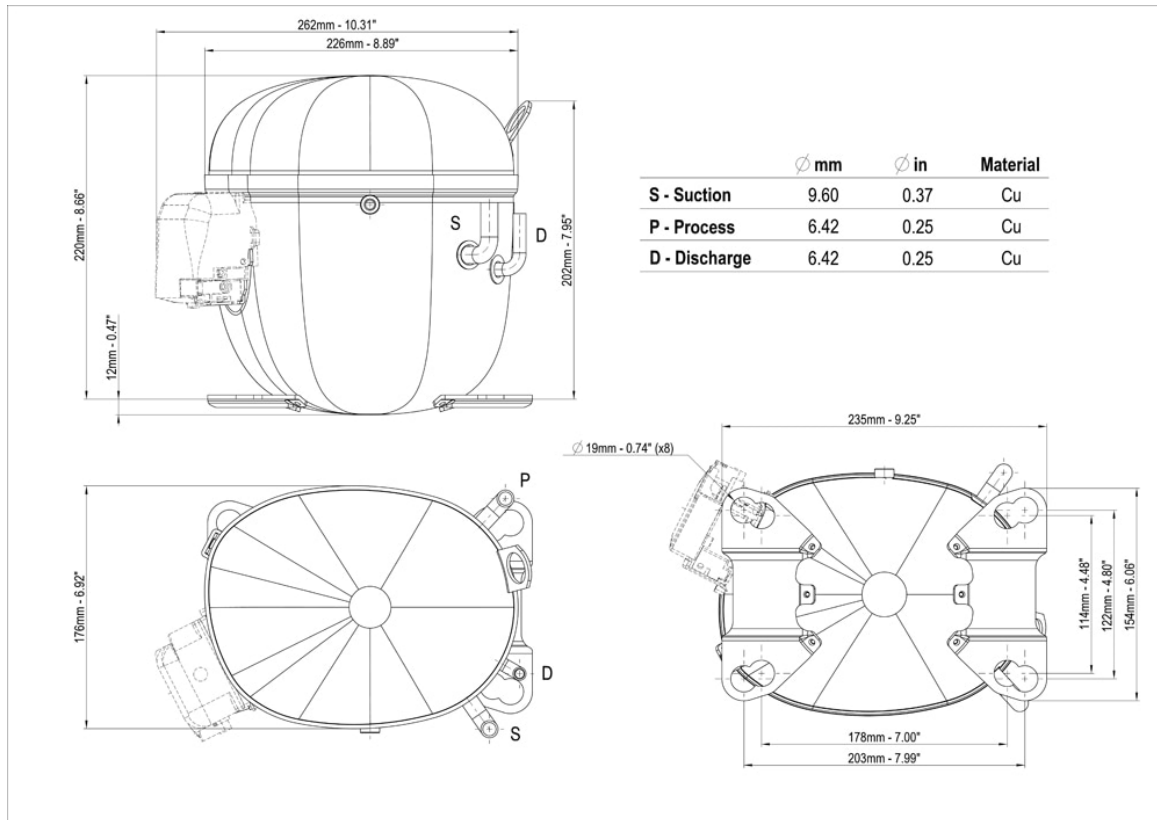
Evaporating Temperature °C	Cooling Capacity W	Power W	Gas Flow Rate kg/h	Efficiency W/W
-20	792	836	27.47	0.95
-15	1003	914	35.13	1.1
-10	1255	993	44.45	1.26
-5	1547	1072	55.60	1.44
0	1880	1151	68.78	1.63
5	2253	1229	84.16	1.83
10	2667	1307	101.94	2.04

Test Condition: EN12900MBP, Fan/NotControlled/220, Return Gas 20°C, Ambient 35°C, Subcooling OK. Data are an indication of performance based simulation.

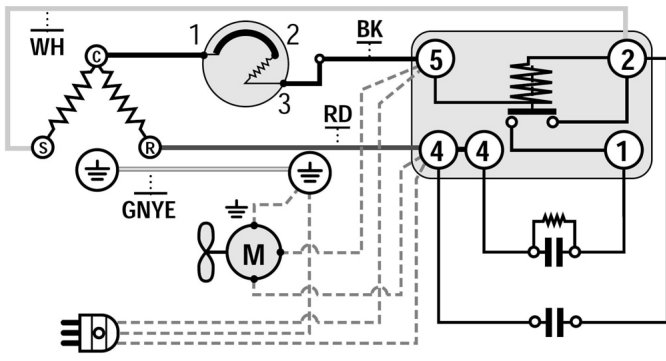
Operating Envelope



External Dimensions



Wiring Diagram



Assembly Instructions

