



MODEL


EMT2125GK
embraco
Nidec
**APPROVALS**
 **ENGINEERING CODE**
513306245


 **APPROVED REFRIGERANT**
R-404A

 **POWER SUPPLY**
220-240 V 50 Hz

 **STANDARD CONDITIONS**
EN12900

 **APPLICATION**
LBP

 **COOLING CAPACITY**
220 W (LBP)

 **EFFICIENCY**
1.27 W/W (LBP)

 **MOTOR TYPE**
CSIR

 **STARTING TORQUE**
HST
DATA**General Data**

Type	Hermetic reciprocating
Technology Type	On-Off
Displacement	5.96 cm ³
Compressor Cooling	Fan/NotControlled/220
Expansion Device	Capillary Tube or Expansion Valve
Horse Power	1/3 hp
Power Supply	220-240 V 50 Hz
Evaporating Temperature Range	-40 °C to -10 °C

Electrical Data

Motor type	CSIR
Starting Torque	HST
Start Winding Resistance	19.15 Ω at 25° C
Run Winding Resistance	11.3 Ω at 25° C
Rated Load Amperage (RLA) at 50 Hz	1.35 A

Mechanical Data

Oil Charge	180 ml
Oil Type Configuration	ESTER
Oil Type Viscosity	ISO22
Weight	7.75 Kg

Electrical Components

	Description
Start Capacitor	64-77 Uf / 330 V
Starting Device	Relay QL2-4.35 ***
Motor Protection	DRB180L61AXF

External Characteristics

Tray Holder	No	
Connector	Internal Diameter	Shape
Suction	6.1 mm	Slanted 42° up + 45° to Back/Copper
Discharge	4.94 mm	Slanted parallel BP+24° to Back/Copper
Process	6 mm	Slanted 43° up + 45° to Back/Copper(OD)

PERFORMANCE

Rated Points

Condensing Temperature	Evaporating Temperature	Cooling Capacity	Power Consumption	Gas Flow Rate	Efficiency
40.00°C	-35.00°C	220 W	174 W	5.88 kg/h	1.27 W/W

Test Condition: EN12900LBP, Fan/NotControlled/220, Return Gas 20°C, Evaporation -35.00°C, Condensing 40.00°C, Ambient 35°C, Liquid 40°C, Subcooling 0K. Data are an indication of performance based simulation.

Performance Curve Data

Condensing Temperature 35°C

Evaporating Temperature °C	Cooling Capacity W	Power W	Gas Flow Rate kg/h	Efficiency W/W
-40	169	155	4.26	1.09
-35	225	174	5.76	1.29
-30	288	195	7.39	1.48
-25	359	216	9.26	1.66
-20	444	238	11.51	1.87
-15	547	261	14.27	2.1
-10	670	284	17.68	2.36

Test Condition: EN12900LBP, Fan/NotControlled/220, Return Gas 20°C, Ambient 35°C, Subcooling OK. Data are an indication of performance based simulation.

Condensing Temperature 45°C

Evaporating Temperature °C	Cooling Capacity W	Power W	Gas Flow Rate kg/h	Efficiency W/W
-40	149	157	4.31	0.95
-35	206	179	5.97	1.15
-30	267	204	7.77	1.31
-25	337	229	9.85	1.47
-20	419	256	12.33	1.63
-15	516	284	15.35	1.82
-10	634	314	19.05	2.02

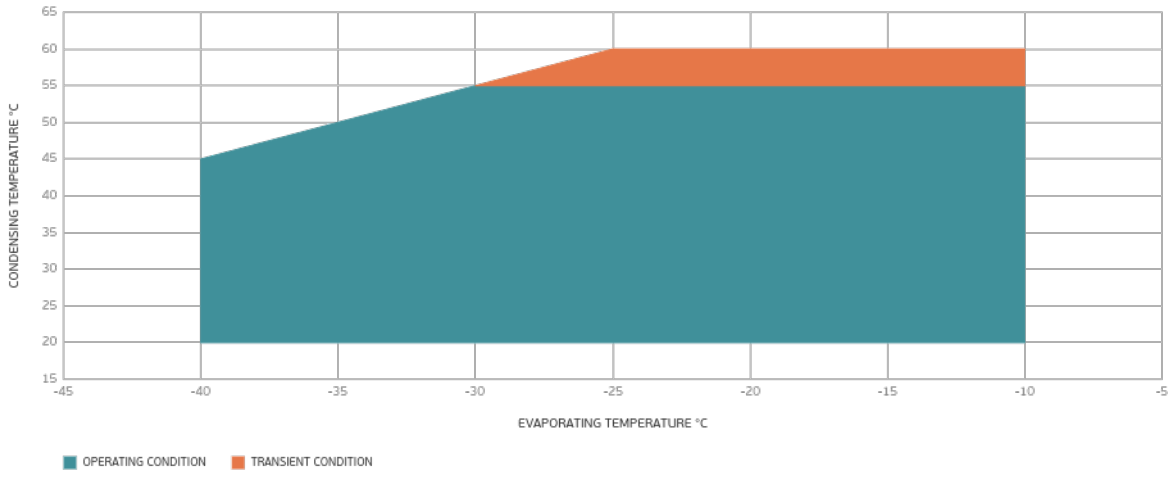
Test Condition: EN12900LBP, Fan/NotControlled/220, Return Gas 20°C, Ambient 35°C, Subcooling OK. Data are an indication of performance based simulation.

Condensing Temperature 55°C

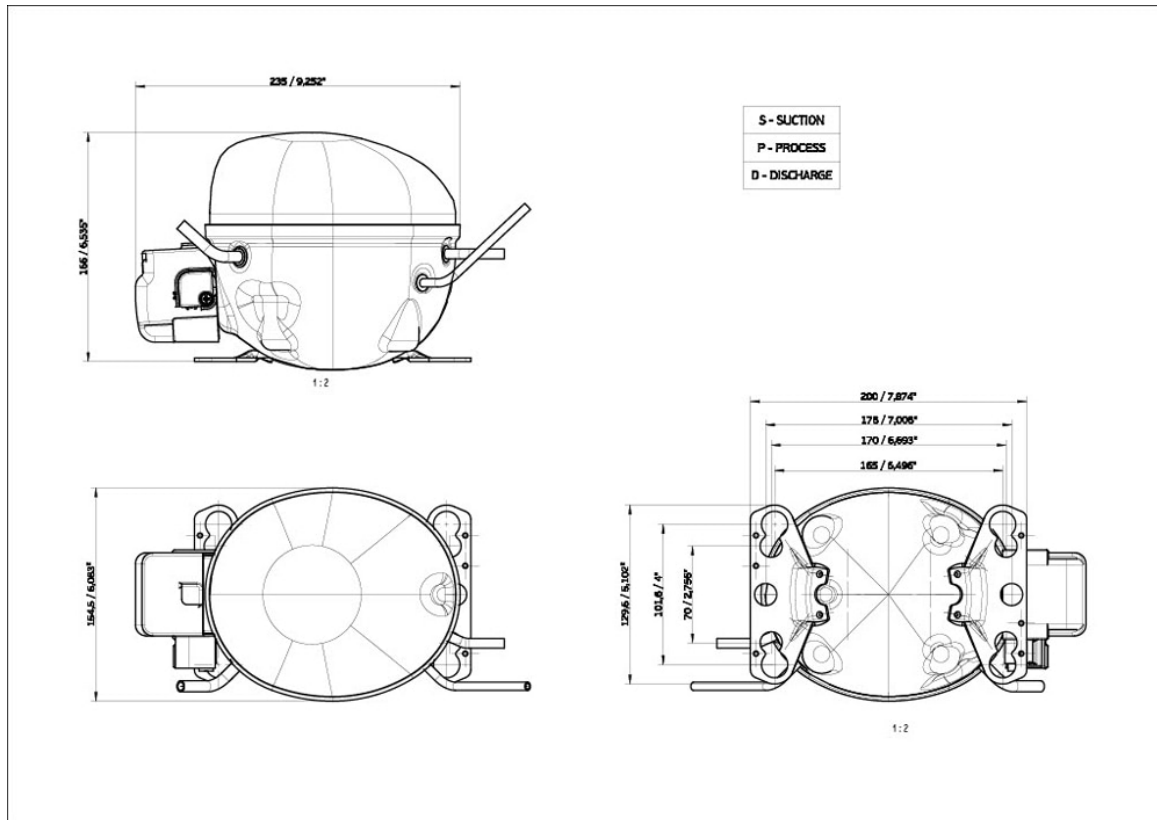
Evaporating Temperature °C	Cooling Capacity W	Power W	Gas Flow Rate kg/h	Efficiency W/W
-40	134	156	4.53	0.85
-35	188	182	6.36	1.04
-30	246	209	8.37	1.18
-25	310	239	10.67	1.3
-20	386	270	13.41	1.43
-15	477	304	16.72	1.57
-10	586	339	20.73	1.73

Test Condition: EN12900LBP, Fan/NotControlled/220, Return Gas 20°C, Ambient 35°C, Subcooling OK. Data are an indication of performance based simulation.

Operating Envelope



External Dimensions



Wiring Diagram

