



**APPROVALS**




 **ENGINEERING CODE**  
957EB92


 **APPROVED REFRIGERANT**  
R-404A

 **POWER SUPPLY**  
200-230 V 50 Hz

 **STANDARD CONDITIONS**  
EN12900

 **APPLICATION**  
LBP

 **COOLING CAPACITY**  
174 W (LBP)

 **EFFICIENCY**  
1.06 W/W (LBP)

 **MOTOR TYPE**  
CSCR

 **STARTING TORQUE**  
HST

**DATA**

**General Data**

Type	Hermetic reciprocating
Technology Type	On-Off
Displacement	6.2 cm <sup>3</sup>
Compressor Cooling	Fan/NotControlled/200
Fan Air Flow	520 m <sup>3</sup> /h
Expansion Device	Capillary Tube or Expansion Valve
Horse Power	1/3 hp
Max Condensing Pressure Operating	24.71 bar
Max Condensing Pressure Peak	27.71 bar
Power Supply	200-230 V 50 Hz / 208-230 V 60 Hz
Evaporating Temperature Range	-40 °C to -10 °C

**Electrical Data**

Motor type	CSCR
Starting Torque	HST
Start Winding Resistance	27.7 Ω at 25° C
Run Winding Resistance	6 Ω at 25° C

## Mechanical Data

Maximum Recommended Refrigerant Charge	350 g
Oil Charge	350 ml
Oil Type Configuration	ESTER
Oil Type Viscosity	ISO22
Pressurization	Dry air charge
Weight	10.4 Kg
Free Internal Volume	2.1 L

## Electrical Components

	Description
Run Capacitor	5
Start Capacitor	53-64 Uf / 330 V
CSR / CSIR Box	YES
Starting Device	RVA4AL3C-649
Motor Protection	T0866-G9

## External Characteristics

Base Plate	Universal	
Tray Holder	No	
Height	188 mm	
Connector	Internal Diameter	Shape
Suction	8.1 mm	Slanted 42°/Copper
Discharge	6.1 mm	Straight/Copper
Process	6.1 mm	Slanted 42°/Copper

## PERFORMANCE

## Rated Points

Condensing Temperature	Evaporating Temperature	Cooling Capacity	Power Consumption	Gas Flow Rate	Efficiency
40.00°C	-35.00°C	174 W	164 W	4.65 kg/h	1.06 W/W

Test Condition: EN12900LBP, Fan/NotControlled/200, Return Gas 20°C, Evaporation -35.00°C, Condensing 40.00°C, Ambient 35°C, Liquid 40°C, Subcooling 0K. Data are an indication of performance based simulation.

## Performance Curve Data

### Condensing Temperature 35°C

Evaporating Temperature °C	Cooling Capacity W	Power W	Gas Flow Rate kg/h	Efficiency W/W
-40	141	145	3.57	0.97
-35	188	166	4.80	1.13
-30	247	187	6.33	1.32
-25	318	206	8.19	1.54
-20	402	225	10.42	1.78
-15	500	244	13.05	2.05
-10	612	261	16.13	2.34

Test Condition: EN12900LBP, Fan/NotControlled/200, Return Gas 20°C, Ambient 35°C , Subcooling OK. Data are an indication of performance based simulation.

### Condensing Temperature 45°C

Evaporating Temperature °C	Cooling Capacity W	Power W	Gas Flow Rate kg/h	Efficiency W/W
-35	149	168	4.33	0.89
-30	198	193	5.77	1.03
-25	258	217	7.55	1.19
-20	329	241	9.71	1.36
-15	413	266	12.28	1.55
-10	509	292	15.30	1.75

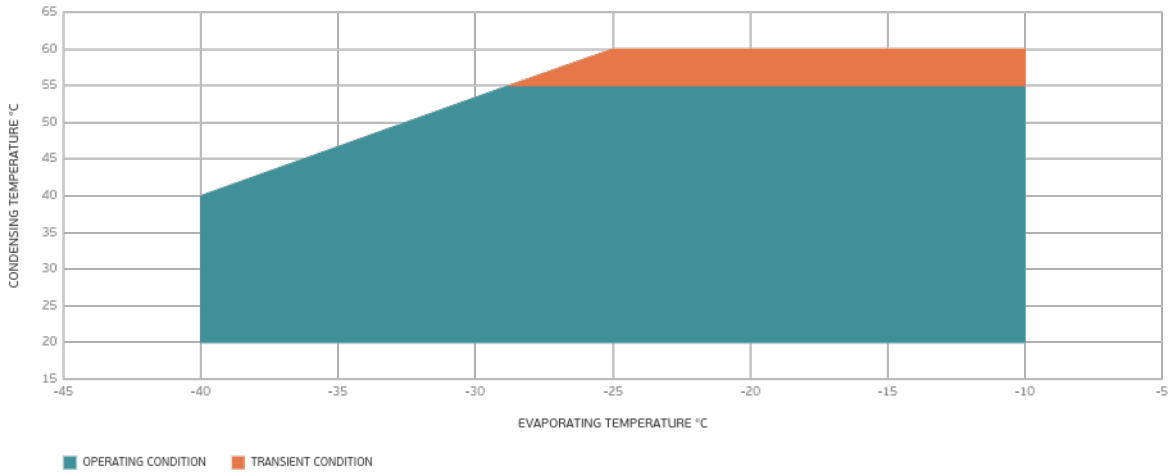
Test Condition: EN12900LBP, Fan/NotControlled/200, Return Gas 20°C, Ambient 35°C , Subcooling OK. Data are an indication of performance based simulation.

### Condensing Temperature 55°C

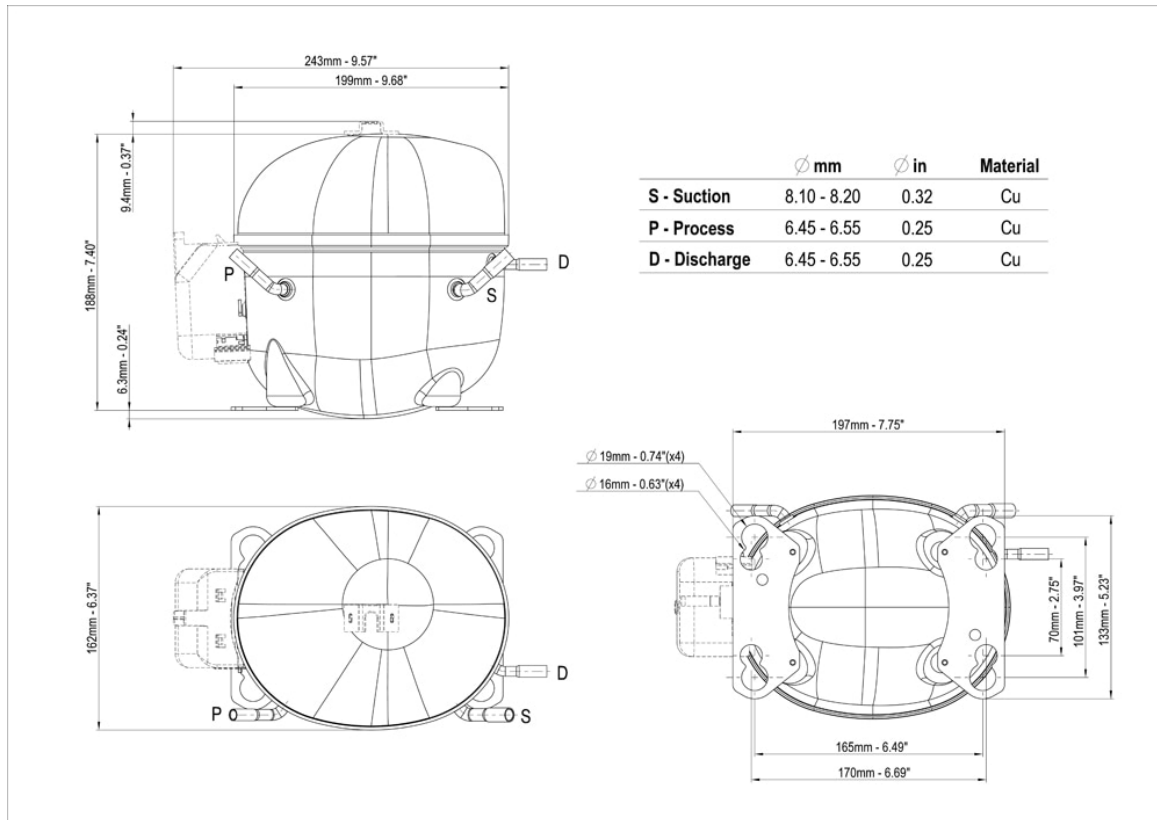
Evaporating Temperature °C	Cooling Capacity W	Power W	Gas Flow Rate kg/h	Efficiency W/W
-30	151	197	5.16	0.77
-25	199	224	6.84	0.89
-20	256	254	8.90	1.01
-15	325	283	11.38	1.15
-10	404	315	14.32	1.29

Test Condition: EN12900LBP, Fan/NotControlled/200, Return Gas 20°C, Ambient 35°C , Subcooling OK. Data are an indication of performance based simulation.

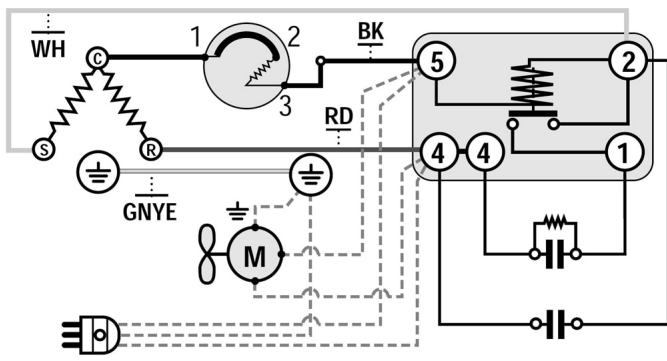
## Operating Envelope



## External Dimensions



## Wiring Diagram



## Assembly Instructions

