

**APPROVALS**




 **ENGINEERING CODE**  
923EA04

 **APPROVED REFRIGERANT**  
R-404A

 **POWER SUPPLY**  
220-240 V 50 Hz

 **STANDARD CONDITIONS**  
EN12900

 **APPLICATION**  
LBP

 **COOLING CAPACITY**  
577 W (LBP)

 **EFFICIENCY**  
1.09 W/W (LBP)

 **MOTOR TYPE**  
CSIR

 **STARTING TORQUE**  
HST

DATA

**General Data**

Type	Hermetic reciprocating
Technology Type	On-Off
Displacement	22.37 cm <sup>3</sup>
Compressor Cooling	Fan/NotControlled/220
Fan Air Flow	520 m <sup>3</sup> /h
Expansion Device	Capillary Tube or Expansion Valve
Horse Power	1 hp
Max Condensing Pressure Operating	24.71 bar
Max Condensing Pressure Peak	27.71 bar
Power Supply	220-240 V 50 Hz
Evaporating Temperature Range	-40 °C to -10 °C

**Electrical Data**

Motor type	CSIR
Starting Torque	HST
Start Winding Resistance	8.4 Ω at 25° C
Run Winding Resistance	1.9 Ω at 25° C

## Mechanical Data

Maximum Recommended Refrigerant Charge	800 g
Oil Charge	450 ml
Oil Type Configuration	ESTER
Oil Type Viscosity	ISO22
Pressurization	Dry air charge
Weight	17.5 Kg
Free Internal Volume	3.3 L

## Electrical Components

	Description
Start Capacitor	130-156 Uf / 250 V
Starting Device	Relay   MTRPH61-65*
Motor Protection	T0060/20

## External Characteristics

Base Plate	Universal	
Tray Holder	No	
Height	234 mm	
Connector	Internal Diameter	Shape
Suction	9.6 mm	Vertical/Copper
Discharge	6.42 mm	Vertical/Copper
Process	6.42 mm	Vertical/Copper

## PERFORMANCE

## Rated Points

Condensing Temperature	Evaporating Temperature	Cooling Capacity	Power Consumption	Gas Flow Rate	Efficiency
40.00°C	-35.00°C	577 W	527 W	15.44 kg/h	1.09 W/W

Test Condition: EN12900LBP, Fan/NotControlled/220, Return Gas 20°C, Evaporation -35.00°C, Condensing 40.00°C, Ambient 35°C, Liquid 40°C, Subcooling 0K. Data are an indication of performance based simulation.

## Performance Curve Data

### Condensing Temperature 35°C

Evaporating Temperature °C	Cooling Capacity W	Power W	Gas Flow Rate kg/h	Efficiency W/W
-40	459	448	11.66	1.02
-35	615	525	15.71	1.17
-30	816	602	20.91	1.36
-25	1059	679	27.29	1.56
-20	1346	756	34.90	1.78
-15	1675	835	43.77	2.01
-10	2046	914	53.93	2.24

Test Condition: EN12900LBP, Fan/NotControlled/220, Return Gas 20°C, Ambient 35°C, Subcooling OK. Data are an indication of performance based simulation.

### Condensing Temperature 45°C

Evaporating Temperature °C	Cooling Capacity W	Power W	Gas Flow Rate kg/h	Efficiency W/W
-35	498	538	14.42	0.93
-30	665	633	19.35	1.05
-25	869	728	25.42	1.19
-20	1109	825	32.67	1.34
-15	1384	923	41.14	1.5
-10	1694	1022	50.87	1.66

Test Condition: EN12900LBP, Fan/NotControlled/220, Return Gas 20°C, Ambient 35°C, Subcooling OK. Data are an indication of performance based simulation.

### Condensing Temperature 55°C

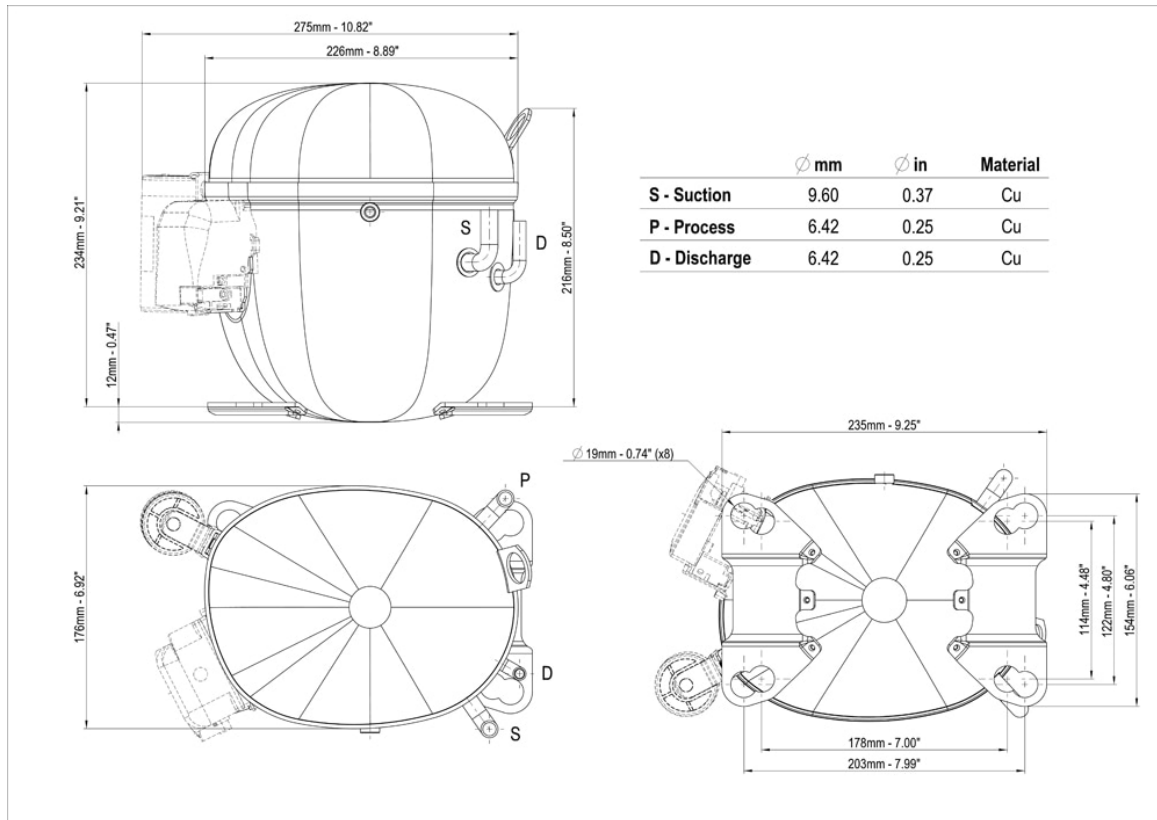
Evaporating Temperature °C	Cooling Capacity W	Power W	Gas Flow Rate kg/h	Efficiency W/W
-30	506	661	17.27	0.77
-25	669	772	23.00	0.87
-20	861	884	29.86	0.97
-15	1082	998	37.90	1.08
-10	1331	1114	47.15	1.19

Test Condition: EN12900LBP, Fan/NotControlled/220, Return Gas 20°C, Ambient 35°C, Subcooling OK. Data are an indication of performance based simulation.

## Operating Envelope



## External Dimensions



## Wiring Diagram



## Assembly Instructions

