



Compressor
Voltage Code : FZ

CAJ9513T-FZ

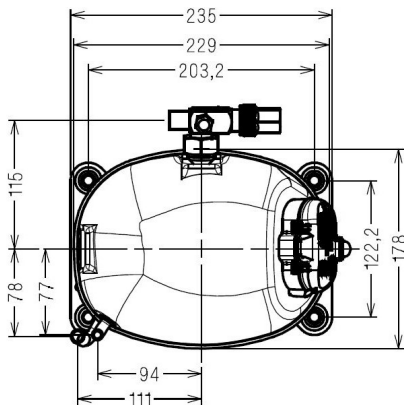
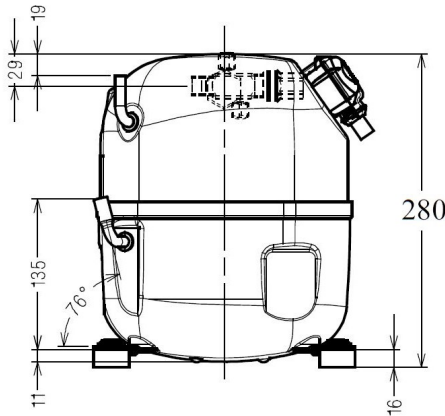
High Temp. Commercial (MHP)

220 - 240V 1~ 50 Hz

R22

AJK513T-FZ3C

Conditions	Frequency	Nominal Cooling Capacity		Sound Power ISO3745 / ISO 3743-1
		Watts	BTU/h	
EN12900_HP / R22	50 Hz	3013	10273	



Displacement (cc)	24,2
Net Weight (Kg)	22.0
Oil Quantity (cc)	475.0
Oil Type	Synthetic_Alkylate
Expansion Device	Capillary_Tube/Expansion_Valve
Cooling	Fan
Main Winding (Ohm)	1.9
Start Winding (Ohm)	6.03
Current	
RLA (A)	6
MCC (A)	9.6
LRA (A)	33
Electrical Equipment	CSR
Overload	MST18AIW
Time Check	2.8s - 5.2s / 29 A
Open Temp	135° C
Close Temp	61° C
Optional	T0610
Start Capacitor	88 µF / 330 V
Run Capacitor	15 µF / 400 V
Potential Relay	RVA3AN**
Pick Up	260/289V
Drop Out	50/110V
Optional	3ARR3*10B*
Refrigerating connection for OD	
Suction Tube	15.9 (5/8")
Discharge Tube	7.9 (5/16")
Process Tube	6.35 (1/4")

* EN12900_HP : T°Cond. 50.0°C / T°Evap. 5.0°C / T°Return gas temp.. 20.0°C
T°Subcooling. 0.0K

Certificates :



Note : Tecumseh reserves the right to change information contained in this document without notification.



Tecumseh

CAJ9513T-FZ	Tension FZ : 220 - 240V 1~ 50 Hz
--------------------	---

Les performances sont données dans les conditions EN12900_HP : Condition Dew	Gaz aspirés : 20.0 °C Sous refroidissement : 0.0 K
The performance data are in EN12900_HP conditions : Dew Condition	Return gas : 20.0 °C Subcooling : 0.0 K

50 Hz R22

N°234JT-FZ

4 T condensation	5 T évaporation	(°C)	-20	-15	-10	-5	0	5	10	15
40	1 P frigorifique	(Watt)	1129	1466	1867	2340	2895	3544	4295	5159
	2 P absorbée	(W)	700	781	855	923	984	1037	1082	1119
	3 I absorbée	(A)	3.74	4.07	4.38	4.66	4.92	5.16	5.37	5.56
50	1 P frigorifique	(Watt)	920	1217	1565	1974	2453	3013	3663	4415
	2 P absorbée	(W)	731	833	929	1020	1104	1182	1253	1317
	3 I absorbée	(A)	3.83	4.27	4.69	5.09	5.46	5.81	6.13	6.44
60	1 P frigorifique	(Watt)		970	1266	1611	2014	2487	3038	3678
	2 P absorbée	(W)		872	992	1107	1217	1322	1420	1512
	3 I absorbée	(A)		4.46	4.99	5.50	5.98	6.45	6.88	7.30

© 2021 Tecumseh Products Company
All rights reserved

1 = cooling capacity 2 = power input 3 = current 4 = condensing temperature 5 = evaporating temperature

Nota : Tecumseh se réserve le droit de modifier les informations contenues dans ce document sans préavis.

Note : Tecumseh reserves the right to change information contained in this document without notification.