



Compressor
Voltage Code : FZ

CAJ9513Z-FZ

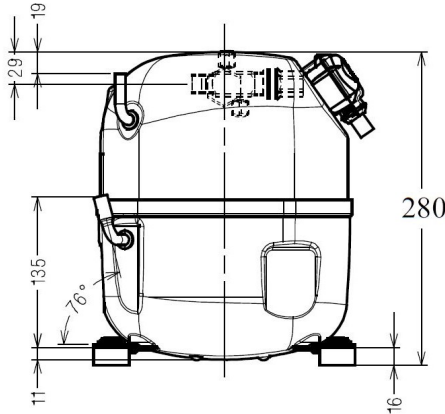
High Temp. Commercial (MHP)

220 - 240V 1~ 50 Hz

R452A / R404A / R448A / R449A

AJK513Z-FZ3B

Conditions	Frequency	Nominal Cooling Capacity		Sound Power ISO3745 / ISO 3743-1
		Watts	BTU/h	
EN12900_HP / R452A	50 Hz	3035	10348	64 dBA
EN12900_HP / R404A	50 Hz	3027	10323	64 dBA
EN12900_HP / R448A	50 Hz	3037	10357	64 dBA
EN12900_HP / R449A	50 Hz	3037	10357	64 dBA



* EN12900_HP : T°Cond. 50.0°C / T°Evap. 5.0°C / T°Return gas temp.. 20.0°C
T°Subcooling. 0.0K

Certificates :



Displacement (cc)	24,2
Net Weight (Kg)	21.5
Oil Quantity (cc)	475.0
Oil Type	Polyolester
Expansion Device	Capillary_Tube/Expansion_Valve
Cooling	Fan
Main Winding (Ohm)	2.7
Start Winding (Ohm)	7.9
Current	
RLA (A)	6.7
MCC (A)	11.3
LRA (A)	33
Electrical Equipment	CSR
Overload	MST16AHW
Time Check	2.8s - 5.2s / 32.5 A
Open Temp	135° C
Close Temp	61° C
Optional	T0653
Start Capacitor	88 µF / 330 V
Run Capacitor	15 µF / 400 V
Potential Relay	RVA3AN**
Pick Up	260/289V
Drop Out	50/110V
Optional	3ARR3*10B*
Refrigerating connection for OD	
Suction Tube	15.9 (5/8")
Discharge Tube	7.9 (5/16")
Process Tube	6.35 (1/4")

Note : Tecumseh reserves the right to change information contained in this document without notification.



Tecumseh

CAJ9513Z-FZ	Tension FZ : 220 - 240V 1~ 50 Hz
--------------------	---

Les performances sont données dans les conditions EN12900_HP :	Gaz aspirés :	20.0 °C
Condition Dew	Sous refroidissement :	0.0 K
The performance data are in EN12900_HP conditions :	Return gas :	20.0 °C
Dew Condition	Subcooling :	0.0 K

© 2021 Tecumseh Products Company
All rights reserved

50 Hz R452A

N°2437

4 T condensation	5 T évaporation	(°C)	-25	-20	-15	-10	-5	0	5	10	15
30	1 P frigorifique	(Watt)	1099	1462	1899	2418	3025	3730	4541	5465	6512
	2 P absorbée	(W)	618	697	770	836	897	954	1006	1054	1100
	3 I absorbée	(A)	3.44	3.72	3.99	4.24	4.47	4.69	4.89	5.08	5.25
40	1 P frigorifique	(Watt)	841	1166	1546	1990	2506	3102	3785	4565	5449
	2 P absorbée	(W)	620	724	821	910	992	1068	1139	1206	1268
	3 I absorbée	(A)	3.38	3.79	4.18	4.56	4.92	5.27	5.60	5.92	6.23
50	1 P frigorifique	(Watt)		862	1188	1560	1987	2475	3035	3672	4397
	2 P absorbée	(W)		722	849	968	1079	1182	1279	1371	1457
	3 I absorbée	(A)		3.76	4.28	4.79	5.29	5.77	6.24	6.69	7.13
60	1 P frigorifique	(Watt)			815	1118	1458	1843	2280	2778	3346
	2 P absorbée	(W)			834	989	1135	1274	1404	1528	1645
	3 I absorbée	(A)			4.29	4.93	5.56	6.18	6.78	7.37	7.94

50 Hz R404A

N°224JT-FZ

4 T condensation	5 T évaporation	(°C)	-25	-20	-15	-10	-5	0	5	10	15
30	1 P frigorifique	(Watt)	1171	1542	1984	2505	3113	3815	4619	5531	6560
	2 P absorbée	(W)	654	736	809	876	937	992	1043	1088	1131
	3 I absorbée	(A)	3.65	3.93	4.19	4.44	4.67	4.88	5.07	5.24	5.40
40	1 P frigorifique	(Watt)	900	1228	1610	2053	2563	3149	3818	4577	5435
	2 P absorbée	(W)	662	768	865	955	1037	1112	1181	1244	1302
	3 I absorbée	(A)	3.60	4.02	4.41	4.79	5.14	5.48	5.81	6.11	6.40
50	1 P frigorifique	(Watt)		908	1233	1600	2016	2489	3027	3637	4326
	2 P absorbée	(W)		772	900	1019	1129	1231	1325	1413	1494
	3 I absorbée	(A)		4.02	4.54	5.05	5.54	6.01	6.46	6.89	7.31
60	1 P frigorifique	(Watt)			845	1140	1465	1829	2239	2702	3226
	2 P absorbée	(W)			892	1047	1192	1328	1455	1573	1684
	3 I absorbée	(A)			4.58	5.22	5.84	6.44	7.02	7.59	8.14

1 = cooling capacity 2 = power input 3 = current 4 = condensing temperature 5 = evaporating temperature

Nota : Tecumseh se réserve le droit de modifier les informations contenues dans ce document sans préavis.

Note : Tecumseh reserves the right to change information contained in this document without notification.



Tecumseh

CAJ9513Z-FZ	Tension FZ : 220 - 240V 1~ 50 Hz
--------------------	---

Les performances sont données dans les conditions EN12900_HP :	Gaz aspirés :	20.0 °C
Condition Dew	Sous refroidissement :	0.0 K
The performance data are in EN12900_HP conditions :	Return gas :	20.0 °C
Dew Condition	Subcooling :	0.0 K

© 2021 Tecumseh Products Company
All rights reserved

50 Hz R448A (*)

N°2896

4 T condensation	5 T évaporation	(°C)	-25	-20	-15	-10	-5	0	5	10	15
30	1 P frigorifique	(Watt)	968	1320	1747	2256	2857	3560	4373	5307	6370
	2 P absorbée	(W)	576	649	717	781	841	896	946	992	1034
	3 I absorbée	(A)	3.21	3.47	3.72	3.96	4.19	4.40	4.60	4.78	4.93
40	1 P frigorifique	(Watt)		1059	1433	1875	2394	2998	3697	4501	5418
	2 P absorbée	(W)		680	770	854	933	1007	1075	1138	1195
	3 I absorbée	(A)		3.56	3.92	4.28	4.63	4.97	5.29	5.59	5.87
50	1 P frigorifique	(Watt)			1119	1498	1938	2448	3037	3715	4491
	2 P absorbée	(W)			802	916	1023	1124	1218	1306	1388
	3 I absorbée	(A)			4.05	4.54	5.02	5.48	5.94	6.38	6.79
60	1 P frigorifique	(Watt)				1121	1487	1907	2391	2948	3588
	2 P absorbée	(W)				941	1086	1222	1352	1474	1589
	3 I absorbée	(A)				4.69	5.31	5.93	6.53	7.11	7.68

50 Hz R449A (*)

N°2417

4 T condensation	5 T évaporation	(°C)	-25	-20	-15	-10	-5	0	5	10	15
30	1 P frigorifique	(Watt)	968	1320	1747	2256	2857	3560	4373	5307	6370
	2 P absorbée	(W)	576	649	717	781	841	896	946	992	1034
	3 I absorbée	(A)	3.21	3.47	3.72	3.96	4.19	4.40	4.60	4.78	4.93
40	1 P frigorifique	(Watt)		1059	1433	1875	2394	2998	3697	4501	5418
	2 P absorbée	(W)		680	770	854	933	1007	1075	1138	1195
	3 I absorbée	(A)		3.56	3.92	4.28	4.63	4.97	5.29	5.59	5.87
50	1 P frigorifique	(Watt)			1119	1498	1938	2448	3037	3715	4491
	2 P absorbée	(W)			802	916	1023	1124	1218	1306	1388
	3 I absorbée	(A)			4.05	4.54	5.02	5.48	5.94	6.38	6.79
60	1 P frigorifique	(Watt)				1121	1487	1907	2391	2948	3588
	2 P absorbée	(W)				941	1086	1222	1352	1474	1589
	3 I absorbée	(A)				4.69	5.31	5.93	6.53	7.11	7.68

1 = cooling capacity 2 = power input 3 = current 4 = condensing temperature 5 = evaporating temperature

(*) Veuillez vous référer strictement aux Recommandations d'Utilisation et Bulletins Marketing Tecumseh du fait de la température de reflux élevée pour les applications LBP.

(*) Due to very high discharge temperature especially on LBP conditions, please strictly refer to Tecumseh Guidelines & Marketing Bulletin when using this refrigerant.

Nota : Tecumseh se réserve le droit de modifier les informations contenues dans ce document sans préavis.

Note : Tecumseh reserves the right to change information contained in this document without notification.