



Compressor  
Voltage Code : FZ

CAJ4461Y-FZ

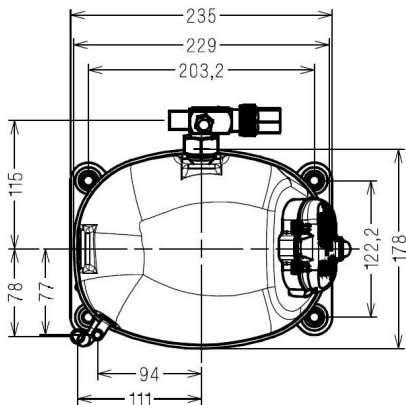
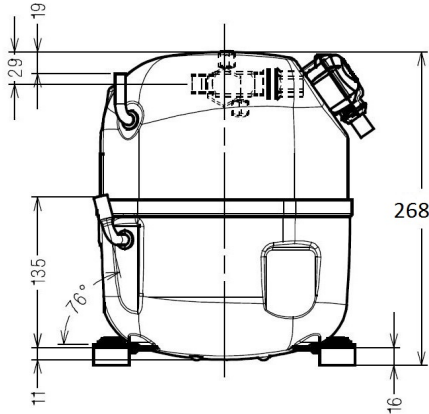
High Temp. Commercial (HP)

220 - 240V 1~ 50 Hz

R134a

AJ4461Y-FZ1C

Conditions	Frequency	Nominal Cooling Capacity		Sound Power ISO3745 / ISO 3743-1
		Watts	BTU/h	
EN12900_HP / R134a	50 Hz	1421	4847	54 dBA



<b>Displacement (cc)</b>	18,3
<b>Net Weight (Kg)</b>	18,4
<b>Oil Quantity (cc)</b>	475,0
<b>Oil Type</b>	Polyolester
<b>Expansion Device</b>	Capillary_Tube/Expansion_Valve
<b>Cooling</b>	Fan
<b>Main Winding (Ohm)</b>	3,9
<b>Start Winding (Ohm)</b>	20,6
<b>Current</b>	
RLA (A)	4
MCC (A)	5,8
LRA (A)	19,4
<b>Electrical Equipment</b>	CSIR
<b>Overload</b>	MST24ALK
Time Check	2.8s - 5.2s / 20.6 A
Open Temp	105° C
Close Temp	61° C
Optional	T0249
<b>Start Capacitor</b>	64 µF / 330 V
<b>Potential Relay</b>	RVA40**
Pick Up	280/310V
Drop Out	60/121V
Optional	/
<b>Refrigerating connection for OD</b>	
Suction Tube	12.7 (1/2")
Discharge Tube	6.35 (1/4")
Process Tube	6.35 (1/4")

\* EN12900\_HP : T°Cond. 50.0°C / T°Evap. 5.0°C / T°Return gas temp.. 20.0°C  
T°Subcooling. 0.0K

Certificates :



Note : Tecumseh reserves the right to change information contained in this document without notification.



**Tecumseh**

<b>CAJ4461Y-FZ</b>	<b>Tension FZ : 220 - 240V 1~ 50 Hz</b>
--------------------	---

Les performances sont données dans les <b>conditions EN12900_HP</b> :	Gaz aspirés :	20.0 °C
Condition Dew	Sous refroidissement :	0.0 K
The performance data are in <b>EN12900_HP conditions</b> :	Return gas :	20.0 °C
Dew Condition	Subcooling :	0.0 K

**50 Hz R134a**

**N°214ES-FZ**

4   T condensation	5   T évaporation	(°C)	-25	-20	-15	-10	-5	0	5	10	15
<b>30</b>	1   P frigorifique	(Watt)	406	554	739	968	1246	1580	1975	2440	2979
	2   P absorbée	(W)	304	346	385	422	455	485	511	534	554
	3   I absorbée	(A)	2.83	2.93	3.03	3.12	3.21	3.31	3.40	3.49	3.58
<b>40</b>	1   P frigorifique	(Watt)	335	468	629	827	1067	1356	1699	2103	2575
	2   P absorbée	(W)	308	360	410	458	503	545	585	621	655
	3   I absorbée	(A)	2.75	2.91	3.06	3.21	3.36	3.51	3.66	3.81	3.95
<b>50</b>	1   P frigorifique	(Watt)		380	519	686	888	1131	1421	1765	2169
	2   P absorbée	(W)		361	424	484	543	599	653	704	753
	3   I absorbée	(A)		2.87	3.08	3.29	3.49	3.70	3.90	4.11	4.31
<b>60</b>	1   P frigorifique	(Watt)			411	548	712	910	1147	1431	1767
	2   P absorbée	(W)			425	499	572	644	713	781	846
	3   I absorbée	(A)			3.09	3.35	3.61	3.88	4.14	4.40	4.66

© 2021 Tecumseh Products Company  
All rights reserved

1 = cooling capacity 2 = power input 3 = current 4 = condensing temperature 5 = evaporating temperature

**Nota : Tecumseh se réserve le droit de modifier les informations contenues dans ce document sans préavis.**  
**Note : Tecumseh reserves the right to change information contained in this document without notification.**