



Compressor
Voltage Code : TZ

TAJ9513T-TZ

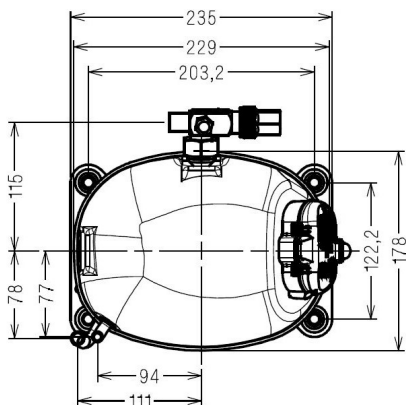
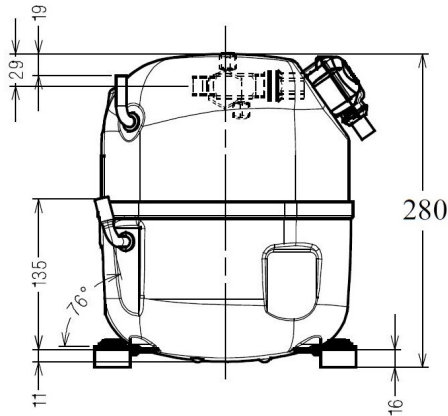
High Temp. Commercial (MHP)

400V 3~ 50Hz / 440V 3~ 60 Hz

R22

AJK513T-TZ1C

Conditions	Frequency	Nominal Cooling Capacity		Sound Power ISO3745 / ISO 3743-1
		Watts	BTU/h	
EN12900_HP / R22	50 Hz / 60 Hz	3015 / 3533	10282 / 12046	



Displacement (cc)	24,2
Net Weight (Kg)	19.3
Oil Quantity (cc)	475.0
Oil Type	Synthetic_Alkylate
Expansion Device	Capillary_Tube/Expansion_Valve
Cooling	Fan
Main Winding (Ohm)	15.3
Current	
RLA (A)	2.3 2.4
MCC (A)	3.4 3.5
LRA (A)	14.5 14.5
Electrical Equipment	TRI
Overload	Interne
Refrigerating connection for OD	
Suction Tube	15.9 (5/8")
Discharge Tube	7.9 (5/16")
Process Tube	6.35 (1/4")

* EN12900_HP : T°Cond. 50.0°C / T°Evap. 5.0°C / T°Return gas temp.. 20.0°C
T°Subcooling. 0.0K

Certificates :



Note : Tecumseh reserves the right to change information contained in this document without notification.



Tecumseh

TAJ9513T-TZ	Tension TZ : 400V 3~ 50Hz / 440V 3~ 60 Hz
--------------------	--

Les performances sont données dans les conditions EN12900_HP : Condition Dew	Gaz aspirés : 20.0 °C Sous refroidissement : 0.0 K
The performance data are in EN12900_HP conditions : Dew Condition	Return gas : 20.0 °C Subcooling : 0.0 K

50 Hz R22

N°234JU-TZ

4 T condensation	5 T évaporation	(°C)	-20	-15	-10	-5	0	5	10	15
40	1 P frigorifique	(Watt)	1122	1460	1863	2341	2905	3565	4332	5218
	2 P absorbée	(W)	694	776	852	922	983	1033	1069	1089
	3 I absorbée	(A)	1.56	1.67	1.78	1.88	1.98	2.07	2.16	2.25
50	1 P frigorifique	(Watt)	912	1208	1555	1965	2448	3015	3677	4445
	2 P absorbée	(W)	742	839	936	1028	1115	1193	1262	1317
	3 I absorbée	(A)	1.58	1.72	1.86	1.99	2.12	2.24	2.36	2.48
60	1 P frigorifique	(Watt)		967	1261	1606	2011	2488	3047	3699
	2 P absorbée	(W)		899	1012	1125	1235	1340	1437	1526
	3 I absorbée	(A)		1.81	1.98	2.14	2.30	2.46	2.61	2.76

60 Hz R22

N°234JU-TZ

4 T condensation	5 T évaporation	(°C)	-20	-15	-10	-5	0	5	10	15
40	1 P frigorifique	(Watt)	1315	1720	2196	2755	3407	4164	5037	6037
	2 P absorbée	(W)	823	928	1027	1122	1209	1289	1359	1420
	3 I absorbée	(A)	1.56	1.69	1.82	1.94	2.06	2.18	2.30	2.42
50	1 P frigorifique	(Watt)	1061	1417	1831	2314	2878	3533	4291	5162
	2 P absorbée	(W)	868	993	1115	1234	1349	1459	1562	1657
	3 I absorbée	(A)	1.59	1.75	1.91	2.07	2.23	2.38	2.53	2.68
60	1 P frigorifique	(Watt)		1131	1484	1894	2371	2926	3571	4316
	2 P absorbée	(W)		1056	1199	1341	1482	1619	1753	1881
	3 I absorbée	(A)		1.82	2.01	2.21	2.40	2.58	2.77	2.95

1 = cooling capacity 2 = power input 3 = current 4 = condensing temperature 5 = evaporating temperature

Nota : Tecumseh se réserve le droit de modifier les informations contenues dans ce document sans préavis.

Note : Tecumseh reserves the right to change information contained in this document without notification.

© 2021 Tecumseh Products Company
All rights reserved