



Compressor
Voltage Code : TZ

TAJ9480T-TZ

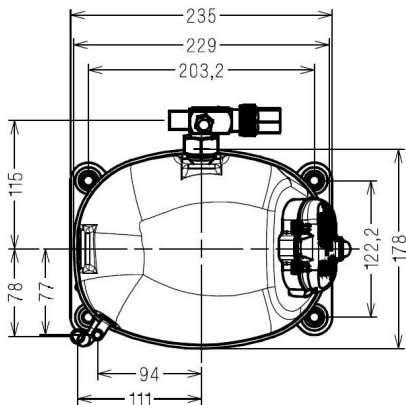
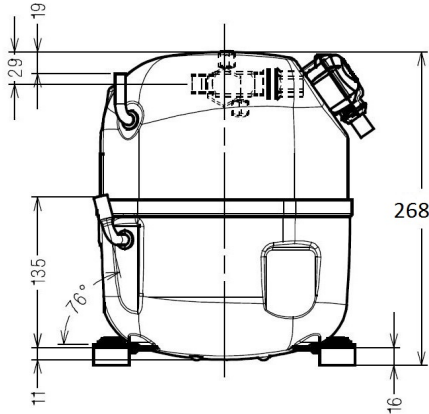
High Temp. Commercial (MHP)

400V 3~ 50Hz / 440V 3~ 60 Hz

R22

AJK480T-TZ1C

Conditions	Frequency	Nominal Cooling Capacity		Sound Power ISO3745 / ISO 3743-1
		Watts	BTU/h	
EN12900_HP / R22	50 Hz / 60 Hz	1970 / 2321	6719 / 7916	



Displacement (cc)	15,2
Net Weight (Kg)	19,4
Oil Quantity (cc)	475,0
Oil Type	Synthetic_Alkylate
Expansion Device	Capillary_Tube/Expansion_Valve
Cooling	Fan
Main Winding (Ohm)	16,8
Current	
RLA (A)	1.7 1.8
MCC (A)	2.8 2.9
LRA (A)	13 13
Electrical Equipment	TRI
Overload	Interne
Refrigerating connection for OD	
Suction Tube	12.7 (1/2")
Discharge Tube	7.9 (5/16")
Process Tube	6.35 (1/4")

* EN12900_HP : T°Cond. 50.0°C / T°Evap. 5.0°C / T°Return gas temp.. 20.0°C
T°Subcooling. 0.0K

Certificates :



Note : Tecumseh reserves the right to change information contained in this document without notification.



Tecumseh

TAJ9480T-TZ	Tension TZ : 400V 3~ 50Hz / 440V 3~ 60 Hz
--------------------	--

Les performances sont données dans les conditions EN12900_HP : Condition Dew	Gaz aspirés : 20.0 °C Sous refroidissement : 0.0 K
The performance data are in EN12900_HP conditions : Dew Condition	Return gas : 20.0 °C Subcooling : 0.0 K

50 Hz R22

N°234CU-TZ

4 T condensation	5 T évaporation	(°C)	-20	-15	-10	-5	0	5	10	15
40	1 P frigorifique	(Watt)	893	1090	1333	1621	1953	2327	2742	3196
	2 P absorbée	(W)	554	600	643	682	718	751	780	807
	3 I absorbée	(A)	1.33	1.37	1.41	1.45	1.48	1.51	1.54	1.56
50	1 P frigorifique	(Watt)	693	872	1091	1348	1641	1970	2333	2728
	2 P absorbée	(W)	530	596	659	718	773	824	871	915
	3 I absorbée	(A)	1.27	1.35	1.42	1.49	1.56	1.63	1.69	1.75
60	1 P frigorifique	(Watt)		647	844	1073	1332	1619	1933	2272
	2 P absorbée	(W)		597	679	757	830	899	964	1024
	3 I absorbée	(A)		1.33	1.43	1.54	1.64	1.74	1.85	1.95

60 Hz R22

N°234CU-TZ

4 T condensation	5 T évaporation	(°C)	-20	-15	-10	-5	0	5	10	15
40	1 P frigorifique	(Watt)	1055	1295	1585	1924	2310	2742	3218	3736
	2 P absorbée	(W)	658	729	795	855	910	958	1000	1037
	3 I absorbée	(A)	1.31	1.38	1.44	1.49	1.55	1.59	1.64	1.68
50	1 P frigorifique	(Watt)	820	1037	1298	1599	1941	2321	2738	3189
	2 P absorbée	(W)	630	726	816	900	978	1050	1117	1177
	3 I absorbée	(A)	1.26	1.36	1.45	1.54	1.63	1.72	1.80	1.88
60	1 P frigorifique	(Watt)		770	1004	1273	1575	1907	2269	2658
	2 P absorbée	(W)		726	840	948	1050	1145	1235	1319
	3 I absorbée	(A)		1.34	1.46	1.59	1.71	1.84	1.96	2.09

1 = cooling capacity 2 = power input 3 = current 4 = condensing temperature 5 = evaporating temperature

Nota : Tecumseh se réserve le droit de modifier les informations contenues dans ce document sans préavis.

Note : Tecumseh reserves the right to change information contained in this document without notification.

© 2021 Tecumseh Products Company
All rights reserved