



Compressor  
Voltage Code : TZ

TAJ4517T-TZ

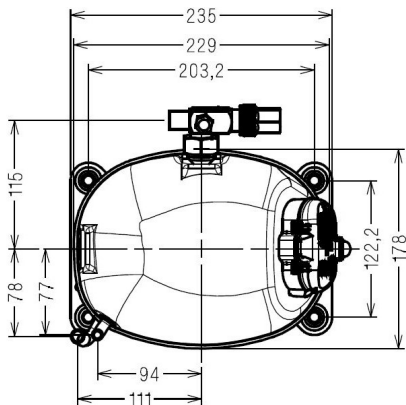
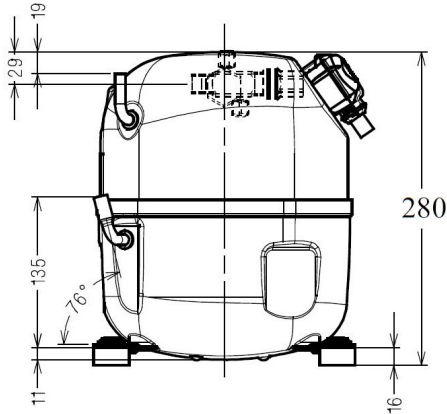
High Temp. Commercial (HP)

400V 3~ 50Hz / 440V 3~ 60 Hz

R22

AJ4517T-TZ1C

Conditions	Frequency	Nominal Cooling Capacity		Sound Power ISO3745 / ISO 3743-1
		Watts	BTU/h	
EN12900_HP / R22	50 Hz / 60 Hz	3403 / 4008	11604 / 13668	70 dBA



<b>Displacement (cc)</b>	25,95
<b>Net Weight (Kg)</b>	19.3
<b>Oil Quantity (cc)</b>	475.0
<b>Oil Type</b>	Mineral
<b>Expansion Device</b>	Capillary_Tube/Expansion_Valve
<b>Cooling</b>	Fan
<b>Main Winding (Ohm)</b>	11.0
<b>Current</b>	
RLA (A)	2.5   2.7
MCC (A)	3.7   3.7
LRA (A)	18   18
<b>Electrical Equipment</b>	TRI
<b>Overload</b>	Interne
<b>Refrigerating connection for OD</b>	
Suction Tube	15.9 (5/8")
Discharge Tube	9.5 (3/8")
Process Tube	6.35 (1/4")

\* EN12900\_HP : T°Cond. 50.0°C / T°Evap. 5.0°C / T°Return gas temp.. 20.0°C  
T°Subcooling. 0.0K

Certificates :



Note : Tecumseh reserves the right to change information contained in this document without notification.



**Tecumseh**

<b>TAJ4517T-TZ</b>	<b>Tension TZ : 400V 3~ 50Hz / 440V 3~ 60 Hz</b>
--------------------	--

Les performances sont données dans les <b>conditions EN12900_HP</b> :	Gaz aspirés :	20.0 °C
Condition Dew	Sous refroidissement :	0.0 K
The performance data are in <b>EN12900_HP conditions</b> :	Return gas :	20.0 °C
Dew Condition	Subcooling :	0.0 K

© 2021 Tecumseh Products Company  
All rights reserved

### 50 Hz R22

**N°234LU-TZ**

4   T condensation	5   T évaporation	(°C)	-20	-15	-10	-5	0	5	10	15
<b>40</b>	1   P frigorifique	(Watt)	1264	1706	2205	2758	3364	4020	4725	5477
	2   P absorbée	(W)	928	987	1046	1106	1165	1225	1285	1345
	3   I absorbée	(A)	1.99	2.02	2.05	2.09	2.14	2.19	2.25	2.31
<b>50</b>	1   P frigorifique	(Watt)	982	1369	1807	2293	2826	3403	4022	4681
	2   P absorbée	(W)	877	978	1075	1168	1259	1346	1429	1509
	3   I absorbée	(A)	1.89	1.97	2.07	2.16	2.26	2.36	2.46	2.57
<b>60</b>	1   P frigorifique	(Watt)		1012	1396	1822	2288	2793	3332	3905
	2   P absorbée	(W)		967	1103	1231	1353	1467	1575	1675
	3   I absorbée	(A)		1.94	2.08	2.23	2.38	2.53	2.68	2.83

### 60 Hz R22

**N°234LU-TZ**

4   T condensation	5   T évaporation	(°C)	-20	-15	-10	-5	0	5	10	15
<b>40</b>	1   P frigorifique	(Watt)	1504	2047	2643	3291	3990	4736	5529	6365
	2   P absorbée	(W)	1105	1203	1298	1393	1486	1578	1668	1757
	3   I absorbée	(A)	1.83	1.94	2.05	2.16	2.26	2.36	2.46	2.55
<b>50</b>	1   P frigorifique	(Watt)	1165	1641	2165	2736	3351	4008	4706	5440
	2   P absorbée	(W)	1043	1191	1334	1472	1605	1733	1856	1973
	3   I absorbée	(A)	1.72	1.90	2.07	2.23	2.39	2.55	2.70	2.84
<b>60</b>	1   P frigorifique	(Watt)		1213	1672	2173	2713	3288	3898	4538
	2   P absorbée	(W)		1179	1370	1552	1726	1890	2046	2192
	3   I absorbée	(A)		1.86	2.09	2.31	2.52	2.73	2.94	3.13

1 = cooling capacity 2 = power input 3 = current 4 = condensing temperature 5 = evaporating temperature

**Nota : Tecumseh se réserve le droit de modifier les informations contenues dans ce document sans préavis.**

**Note : Tecumseh reserves the right to change information contained in this document without notification.**