



Compressor
Voltage Code : TZ

TFH2480Z

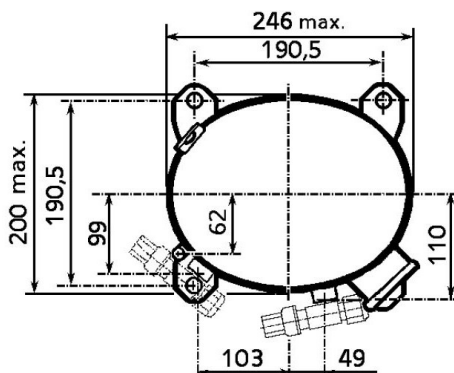
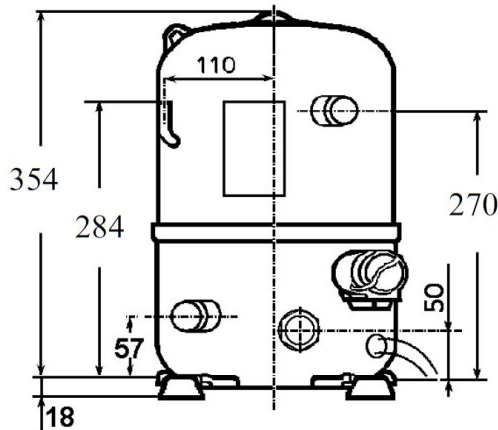
Low Temp. Commercial (BP)

400V 3~ 50Hz / 440V 3~ 60 Hz

R452A / R404A / R448A / R449A

AHC2466ZTZ

| Conditions | Frequency | Nominal Cooling Capacity | | Sound Power ISO3745 / ISO 3743-1 |
|-----------------|---------------|--------------------------|-------------|-------------------------------------|
| | | Watts | BTU/h | |
| EN12900 / R452A | 50 Hz / 60 Hz | 1036 / 1191 | 3532 / 4060 | 72 dBA |
| EN12900 / R404A | 50 Hz / 60 Hz | 1125 / 1293 | 3836 / 4410 | 72 dBA |
| EN12900 / R448A | 50 Hz / 60 Hz | 876 / 1007 | 2986 / 3433 | 72 dBA |
| EN12900 / R449A | 50 Hz / 60 Hz | 876 / 1007 | 2986 / 3433 | 72 dBA |



| | |
|--|--------------------------------|
| Displacement (cc) | 53,2 |
| Net Weight (Kg) | 32,9 |
| Oil Quantity (cc) | 1330,0 |
| Oil Type | Polyolester |
| Expansion Device | Capillary_Tube/Expansion_Valve |
| Cooling | Fan |
| Main Winding (Ohm) | 6,0 |
| Current | |
| RLA (A) | 2.8 3 |
| MCC (A) | 6.3 6.4 |
| LRA (A) | 23 25 |
| Electrical Equipment | TRI |
| Overload | Interne |
| Refrigerating connection for OD | |
| Suction Tube | 15.9 (5/8") |
| Discharge Tube | 12.7 (1/2") |
| Process Tube | 6.35 (1/4") |

* EN12900 : T°Cond. 40.0°C / T°Evap. -35.0°C / T°Return gas temp.. 20.0°C
T°Subcooling. 0.0K

Certificates :



Note : Tecumseh reserves the right to change information contained in this document without notification.



Tecumseh

| | |
|-----------------|--|
| TFH2480Z | Tension TZ : 400V 3~ 50Hz / 440V 3~ 60 Hz |
|-----------------|--|

| | | |
|--|------------------------|---------|
| Les performances sont données dans les conditions EN12900 : | Gaz aspirés : | 20.0 °C |
| Condition Dew | Sous refroidissement : | 0.0 K |
| The performance data are in EN12900 conditions : | Return gas : | 20.0 °C |
| Dew Condition | Subcooling : | 0.0 K |

© 2021 Tecumseh Products Company
All rights reserved

50 Hz R452A

N°1115

| 4 T condensation | 5 T évaporation | (°C) | -40 | -35 | -30 | -25 | -20 | -15 | -10 |
|--------------------|--------------------|--------|------|------|------|------|------|------|------|
| 30 | 1 P frigorifique | (Watt) | 961 | 1382 | 1872 | 2439 | 3091 | 3834 | 4677 |
| | 2 P absorbée | (W) | 885 | 1084 | 1280 | 1477 | 1676 | 1880 | 2090 |
| | 3 I absorbée | (A) | 1.96 | 2.17 | 2.40 | 2.65 | 2.92 | 3.22 | 3.55 |
| 40 | 1 P frigorifique | (Watt) | 652 | 1036 | 1479 | 1988 | 2572 | 3238 | 3992 |
| | 2 P absorbée | (W) | 781 | 1017 | 1248 | 1475 | 1700 | 1926 | 2154 |
| | 3 I absorbée | (A) | 1.84 | 2.11 | 2.39 | 2.70 | 3.02 | 3.37 | 3.74 |
| 50 | 1 P frigorifique | (Watt) | | 695 | 1086 | 1534 | 2046 | 2629 | 3291 |
| | 2 P absorbée | (W) | | 913 | 1195 | 1469 | 1738 | 2003 | 2267 |
| | 3 I absorbée | (A) | | 1.98 | 2.32 | 2.68 | 3.05 | 3.45 | 3.87 |
| 60 | 1 P frigorifique | (Watt) | | | | 1094 | 1530 | 2026 | 2591 |
| | 2 P absorbée | (W) | | | | 1422 | 1751 | 2072 | 2388 |
| | 3 I absorbée | (A) | | | | 2.59 | 3.02 | 3.46 | 3.93 |

60 Hz R452A

N°1115

| 4 T condensation | 5 T évaporation | (°C) | -40 | -35 | -30 | -25 | -20 | -15 | -10 |
|--------------------|--------------------|--------|------|------|------|------|------|------|------|
| 30 | 1 P frigorifique | (Watt) | 1100 | 1590 | 2159 | 2815 | 3570 | 4433 | 5415 |
| | 2 P absorbée | (W) | 1049 | 1292 | 1531 | 1773 | 2028 | 2304 | 2608 |
| | 3 I absorbée | (A) | 1.98 | 2.24 | 2.54 | 2.87 | 3.23 | 3.63 | 4.07 |
| 40 | 1 P frigorifique | (Watt) | 738 | 1191 | 1707 | 2297 | 2972 | 3742 | 4616 |
| | 2 P absorbée | (W) | 911 | 1212 | 1502 | 1789 | 2080 | 2385 | 2711 |
| | 3 I absorbée | (A) | 1.83 | 2.16 | 2.51 | 2.90 | 3.31 | 3.76 | 4.25 |
| 50 | 1 P frigorifique | (Watt) | | 788 | 1248 | 1768 | 2359 | 3030 | 3792 |
| | 2 P absorbée | (W) | | 1065 | 1422 | 1768 | 2111 | 2460 | 2824 |
| | 3 I absorbée | (A) | | 1.98 | 2.39 | 2.83 | 3.30 | 3.79 | 4.33 |
| 60 | 1 P frigorifique | (Watt) | | | | 1251 | 1753 | 2321 | 2967 |
| | 2 P absorbée | (W) | | | | 1677 | 2087 | 2496 | 2912 |
| | 3 I absorbée | (A) | | | | 2.66 | 3.18 | 3.73 | 4.30 |

1 = cooling capacity 2 = power input 3 = current 4 = condensing temperature 5 = evaporating temperature

Nota : Tecumseh se réserve le droit de modifier les informations contenues dans ce document sans préavis.


Note : Tecumseh reserves the right to change information contained in this document without notification.



Tecumseh

| | |
|-----------------|--|
| TFH2480Z | Tension TZ : 400V 3~ 50Hz / 440V 3~ 60 Hz |
|-----------------|--|

| | | |
|--|------------------------|---------|
| Les performances sont données dans les conditions EN12900 : | Gaz aspirés : | 20.0 °C |
| Condition Dew | Sous refroidissement : | 0.0 K |
| The performance data are in EN12900 conditions : | Return gas : | 20.0 °C |
| Dew Condition | Subcooling : | 0.0 K |

| 50 Hz R404A | | | | | | | | | |
|---|--------------------|--------|------|------|------|------|------|------|------|
| N°126GU-T | | | | | | | | | |
|  | | | | | | | | | |
| 4 T condensation | 5 T évaporation | (°C) | -40 | -35 | -30 | -25 | -20 | -15 | -10 |
| 30 | 1 P frigorifique | (Watt) | 1054 | 1502 | 2017 | 2606 | 3275 | 4028 | 4871 |
| | 2 P absorbée | (W) | 948 | 1163 | 1374 | 1581 | 1787 | 1994 | 2202 |
| | 3 I absorbée | (A) | 2.10 | 2.33 | 2.57 | 2.83 | 3.12 | 3.42 | 3.73 |
| 40 | 1 P frigorifique | (Watt) | 719 | 1125 | 1587 | 2111 | 2701 | 3364 | 4105 |
| | 2 P absorbée | (W) | 850 | 1102 | 1345 | 1582 | 1814 | 2043 | 2270 |
| | 3 I absorbée | (A) | 2.01 | 2.28 | 2.58 | 2.89 | 3.22 | 3.58 | 3.94 |
| 50 | 1 P frigorifique | (Watt) | | 757 | 1165 | 1622 | 2134 | 2706 | 3344 |
| | 2 P absorbée | (W) | | 1002 | 1297 | 1583 | 1860 | 2130 | 2395 |
| | 3 I absorbée | (A) | | 2.17 | 2.52 | 2.88 | 3.27 | 3.67 | 4.09 |
| 60 | 1 P frigorifique | (Watt) | | | 757 | 1147 | 1580 | 2061 | 2596 |
| | 2 P absorbée | (W) | | | 1188 | 1541 | 1883 | 2214 | 2537 |
| | 3 I absorbée | (A) | | | 2.40 | 2.81 | 3.25 | 3.70 | 4.17 |

| 60 Hz R404A | | | | | | | | | |
|--------------------|--------------------|--------|------|------|------|------|------|------|------|
| N°126GU-T | | | | | | | | | |
| 4 T condensation | 5 T évaporation | (°C) | -40 | -35 | -30 | -25 | -20 | -15 | -10 |
| 30 | 1 P frigorifique | (Watt) | 1207 | 1729 | 2326 | 3008 | 3782 | 4657 | 5639 |
| | 2 P absorbée | (W) | 1123 | 1387 | 1643 | 1899 | 2162 | 2443 | 2747 |
| | 3 I absorbée | (A) | 2.12 | 2.41 | 2.72 | 3.07 | 3.45 | 3.85 | 4.28 |
| 40 | 1 P frigorifique | (Watt) | 814 | 1293 | 1832 | 2439 | 3121 | 3887 | 4746 |
| | 2 P absorbée | (W) | 992 | 1314 | 1620 | 1919 | 2219 | 2529 | 2857 |
| | 3 I absorbée | (A) | 2.00 | 2.34 | 2.71 | 3.11 | 3.53 | 3.99 | 4.48 |
| 50 | 1 P frigorifique | (Watt) | | 859 | 1338 | 1870 | 2461 | 3119 | 3854 |
| | 2 P absorbée | (W) | | 1169 | 1543 | 1904 | 2259 | 2616 | 2984 |
| | 3 I absorbée | (A) | | 2.17 | 2.60 | 3.05 | 3.53 | 4.04 | 4.57 |
| 60 | 1 P frigorifique | (Watt) | | | 855 | 1311 | 1811 | 2362 | 2973 |
| | 2 P absorbée | (W) | | | 1378 | 1818 | 2245 | 2667 | 3093 |
| | 3 I absorbée | (A) | | | 2.39 | 2.89 | 3.42 | 3.98 | 4.57 |

1 = cooling capacity 2 = power input 3 = current 4 = condensing temperature 5 = evaporating temperature

Nota : Tecumseh se réserve le droit de modifier les informations contenues dans ce document sans préavis.

Note : Tecumseh reserves the right to change information contained in this document without notification.

© 2021 Tecumseh Products Company
All rights reserved



Tecumseh

| | |
|-----------------|--|
| TFH2480Z | Tension TZ : 400V 3~ 50Hz / 440V 3~ 60 Hz |
|-----------------|--|

| | | |
|--|------------------------|---------|
| Les performances sont données dans les conditions EN12900 : | Gaz aspirés : | 20.0 °C |
| Condition Dew | Sous refroidissement : | 0.0 K |
| The performance data are in EN12900 conditions : | Return gas : | 20.0 °C |
| Dew Condition | Subcooling : | 0.0 K |

| 50 Hz R448A (*) | | | | | | | | |
|------------------------|--------------------|--------|------------|------------|------------|------------|------------|------------|
| N°2765 | | | | | | | | |
| 4 T condensation | 5 T évaporation | (°C) | -35 | -30 | -25 | -20 | -15 | -10 |
| 30 | 1 P frigorifique | (Watt) | 1171 | 1652 | 2220 | 2879 | 3637 | 4499 |
| | 2 P absorbée | (W) | 1005 | 1198 | 1391 | 1585 | 1783 | 1986 |
| | 3 I absorbée | (A) | 2.01 | 2.24 | 2.49 | 2.76 | 3.05 | 3.37 |
| 40 | 1 P frigorifique | (Watt) | 876 | 1305 | 1812 | 2402 | 3082 | 3857 |
| | 2 P absorbée | (W) | 956 | 1180 | 1397 | 1611 | 1824 | 2038 |
| | 3 I absorbée | (A) | 1.98 | 2.26 | 2.55 | 2.86 | 3.19 | 3.54 |
| 50 | 1 P frigorifique | (Watt) | 593 | 974 | 1425 | 1950 | 2556 | 3249 |
| | 2 P absorbée | (W) | 866 | 1140 | 1404 | 1660 | 1909 | 2155 |
| | 3 I absorbée | (A) | 1.88 | 2.21 | 2.56 | 2.92 | 3.29 | 3.68 |
| 60 | 1 P frigorifique | (Watt) | | | 1077 | 1542 | 2079 | 2695 |
| | 2 P absorbée | (W) | | | 1367 | 1685 | 1993 | 2291 |
| | 3 I absorbée | (A) | | | 2.49 | 2.90 | 3.33 | 3.77 |

| 60 Hz R448A (*) | | | | | | | | |
|------------------------|--------------------|--------|------------|------------|------------|------------|------------|------------|
| N°2765 | | | | | | | | |
| 4 T condensation | 5 T évaporation | (°C) | -35 | -30 | -25 | -20 | -15 | -10 |
| 30 | 1 P frigorifique | (Watt) | 1347 | 1905 | 2562 | 3326 | 4205 | 5209 |
| | 2 P absorbée | (W) | 1198 | 1433 | 1670 | 1918 | 2184 | 2478 |
| | 3 I absorbée | (A) | 2.08 | 2.38 | 2.70 | 3.06 | 3.44 | 3.86 |
| 40 | 1 P frigorifique | (Watt) | 1007 | 1507 | 2093 | 2775 | 3561 | 4459 |
| | 2 P absorbée | (W) | 1140 | 1420 | 1695 | 1972 | 2259 | 2565 |
| | 3 I absorbée | (A) | 2.03 | 2.37 | 2.74 | 3.14 | 3.56 | 4.02 |
| 50 | 1 P frigorifique | (Watt) | 672 | 1120 | 1643 | 2249 | 2946 | 3744 |
| | 2 P absorbée | (W) | 1010 | 1357 | 1690 | 2016 | 2345 | 2684 |
| | 3 I absorbée | (A) | 1.88 | 2.28 | 2.70 | 3.15 | 3.62 | 4.11 |
| 60 | 1 P frigorifique | (Watt) | | | 1231 | 1767 | 2382 | 3086 |
| | 2 P absorbée | (W) | | | 1612 | 2009 | 2400 | 2793 |
| | 3 I absorbée | (A) | | | 2.56 | 3.06 | 3.58 | 4.13 |

1 = cooling capacity 2 = power input 3 = current 4 = condensing temperature 5 = evaporating temperature

(*) Veuillez vous référer strictement aux Recommandations d'Utilisation et Bulletins Marketing Tecumseh du fait de la température de reflux élevée pour les applications LBP.
 (*) Due to very high discharge temperature especially on LBP conditions, please strictly refer to Tecumseh Guidelines & Marketing Bulletin when using this refrigerant.

Nota : Tecumseh se réserve le droit de modifier les informations contenues dans ce document sans préavis.

Note : Tecumseh reserves the right to change information contained in this document without notification.

© 2021 Tecumseh Products Company
All rights reserved



Tecumseh

| | |
|-----------------|--|
| TFH2480Z | Tension TZ : 400V 3~ 50Hz / 440V 3~ 60 Hz |
|-----------------|--|

| | | |
|--|------------------------|---------|
| Les performances sont données dans les conditions EN12900 : | Gaz aspirés : | 20.0 °C |
| Condition Dew | Sous refroidissement : | 0.0 K |
| The performance data are in EN12900 conditions : | Return gas : | 20.0 °C |
| Dew Condition | Subcooling : | 0.0 K |

| 50 Hz R449A (*) | | | | | | | | |
|------------------------|--------------------|--------|------------|------------|------------|------------|------------|------------|
| N°2024 | | | | | | | | |
| 4 T condensation | 5 T évaporation | (°C) | -35 | -30 | -25 | -20 | -15 | -10 |
| 30 | 1 P frigorifique | (Watt) | 1171 | 1652 | 2220 | 2879 | 3637 | 4499 |
| | 2 P absorbée | (W) | 1005 | 1198 | 1391 | 1585 | 1783 | 1986 |
| | 3 I absorbée | (A) | 2.01 | 2.24 | 2.49 | 2.76 | 3.05 | 3.37 |
| 40 | 1 P frigorifique | (Watt) | 876 | 1305 | 1812 | 2402 | 3082 | 3857 |
| | 2 P absorbée | (W) | 956 | 1180 | 1397 | 1611 | 1824 | 2038 |
| | 3 I absorbée | (A) | 1.98 | 2.26 | 2.55 | 2.86 | 3.19 | 3.54 |
| 50 | 1 P frigorifique | (Watt) | 593 | 974 | 1425 | 1950 | 2556 | 3249 |
| | 2 P absorbée | (W) | 866 | 1140 | 1404 | 1660 | 1909 | 2155 |
| | 3 I absorbée | (A) | 1.88 | 2.21 | 2.56 | 2.92 | 3.29 | 3.68 |
| 60 | 1 P frigorifique | (Watt) | | | 1077 | 1542 | 2079 | 2695 |
| | 2 P absorbée | (W) | | | 1367 | 1685 | 1993 | 2291 |
| | 3 I absorbée | (A) | | | 2.49 | 2.90 | 3.33 | 3.77 |

| 60 Hz R449A (*) | | | | | | | | |
|------------------------|--------------------|--------|------------|------------|------------|------------|------------|------------|
| N°2024 | | | | | | | | |
| 4 T condensation | 5 T évaporation | (°C) | -35 | -30 | -25 | -20 | -15 | -10 |
| 30 | 1 P frigorifique | (Watt) | 1347 | 1905 | 2562 | 3326 | 4205 | 5209 |
| | 2 P absorbée | (W) | 1198 | 1433 | 1670 | 1918 | 2184 | 2478 |
| | 3 I absorbée | (A) | 2.08 | 2.38 | 2.70 | 3.06 | 3.44 | 3.86 |
| 40 | 1 P frigorifique | (Watt) | 1007 | 1507 | 2093 | 2775 | 3561 | 4459 |
| | 2 P absorbée | (W) | 1140 | 1420 | 1695 | 1972 | 2259 | 2565 |
| | 3 I absorbée | (A) | 2.03 | 2.37 | 2.74 | 3.14 | 3.56 | 4.02 |
| 50 | 1 P frigorifique | (Watt) | 672 | 1120 | 1643 | 2249 | 2946 | 3744 |
| | 2 P absorbée | (W) | 1010 | 1357 | 1690 | 2016 | 2345 | 2684 |
| | 3 I absorbée | (A) | 1.88 | 2.28 | 2.70 | 3.15 | 3.62 | 4.11 |
| 60 | 1 P frigorifique | (Watt) | | | 1231 | 1767 | 2382 | 3086 |
| | 2 P absorbée | (W) | | | 1612 | 2009 | 2400 | 2793 |
| | 3 I absorbée | (A) | | | 2.56 | 3.06 | 3.58 | 4.13 |

1 = cooling capacity 2 = power input 3 = current 4 = condensing temperature 5 = evaporating temperature

(*) Veuillez vous référer strictement aux Recommandations d'Utilisation et Bulletins Marketing Tecumseh du fait de la température de reflux élevée pour les applications LBP.
 (*) Due to very high discharge temperature especially on LBP conditions, please strictly refer to Tecumseh Guidelines & Marketing Bulletin when using this refrigerant.

Nota : Tecumseh se réserve le droit de modifier les informations contenues dans ce document sans préavis.
Note : Tecumseh reserves the right to change information contained in this document without notification.

© 2021 Tecumseh Products Company
All rights reserved