



Compressor
Voltage Code : TZ

TAG4546T

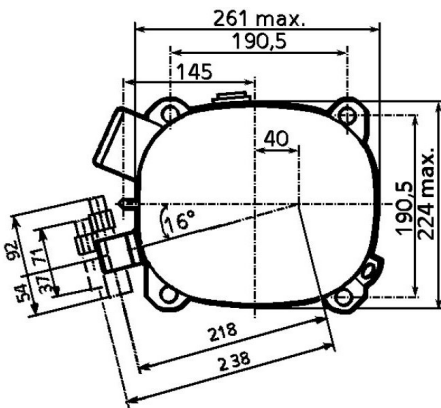
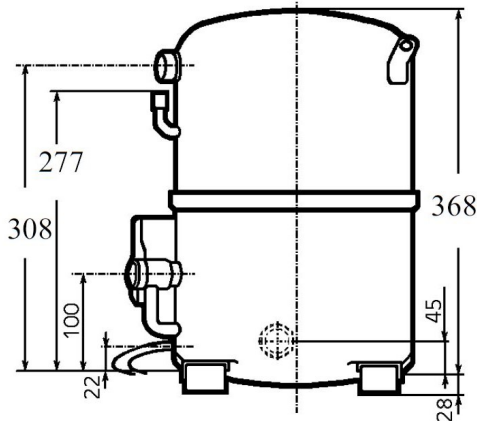
High Temp. Commercial (HP)

400V 3~ 50Hz / 440V 3~ 60 Hz

R22

AGB4546TTZ

Conditions	Frequency	Nominal Cooling Capacity		Sound Power ISO3745 / ISO 3743-1
		Watts	BTU/h	
EN12900_HP / R22	50 Hz / 60 Hz	10260 / 11772	34985 / 40141	79 dBA



Displacement (cc)	90,2
Net Weight (Kg)	44.0
Oil Quantity (cc)	1760.0
Oil Type	Mineral
Expansion Device	Capillary_Tube/Expansion_Valve
Cooling	Fan
Main Winding (Ohm)	4.3
Current	
RLA (A)	6.6 7.5
MCC (A)	10 10
LRA (A)	40 44
Electrical Equipment	TRI
Overload	Interne
Refrigerating connection for OD	
Suction Tube	22.2 (7/8")
Discharge Tube	15.9 (5/8")
Process Tube	6.35 (1/4")

* EN12900_HP : T°Cond. 50.0°C / T°Evap. 5.0°C / T°Return gas temp.. 20.0°C
T°Subcooling. 0.0K

Certificates :



Note : Tecumseh reserves the right to change information contained in this document without notification.



Tecumseh

TAG4546T	Tension TZ : 400V 3~ 50Hz / 440V 3~ 60 Hz
-----------------	--

Les performances sont données dans les conditions EN12900_HP :	Gaz aspirés :	20.0 °C
Condition Dew	Sous refroidissement :	0.0 K
The performance data are in EN12900_HP conditions :	Return gas :	20.0 °C
Dew Condition	Subcooling :	0.0 K

50 Hz R22										
N°237CU-T										
4 T condensation	5 T évaporation	(°C)	-20	-15	-10	-5	0	5	10	15
40	1 P frigorifique	(Watt)	3325	4547	6025	7781	9836	12211	14924	17992
	2 P absorbée	(W)	1709	2018	2325	2625	2916	3193	3454	3694
	3 I absorbée	(A)	3.89	4.30	4.72	5.14	5.57	6.00	6.44	6.88
50	1 P frigorifique	(Watt)	2455	3500	4782	6322	8142	10260	12692	15452
	2 P absorbée	(W)	1681	2058	2436	2809	3176	3532	3874	4199
	3 I absorbée	(A)	3.73	4.23	4.76	5.30	5.87	6.46	7.08	7.72
60	1 P frigorifique	(Watt)		2522	3599	4917	6494	8346	10490	12935
	2 P absorbée	(W)		2047	2503	2957	3408	3850	4281	4699
	3 I absorbée	(A)		4.17	4.80	5.47	6.18	6.93	7.72	8.55

60 Hz R22										
N°237CU-T										
4 T condensation	5 T évaporation	(°C)	-20	-15	-10	-5	0	5	10	15
40	1 P frigorifique	(Watt)	3890	5429	7196	9209	11486	14045	16901	20068
	2 P absorbée	(W)	2099	2643	3113	3509	3832	4083	4260	4366
	3 I absorbée	(A)	7.37	8.72	9.96	11.1	12.1	13.0	13.8	14.5
50	1 P frigorifique	(Watt)	2918	4263	5803	7556	9540	11772	14264	17029
	2 P absorbée	(W)	1984	2609	3164	3648	4063	4409	4687	4896
	3 I absorbée	(A)	7.07	8.60	10.0	11.4	12.8	14.0	15.2	16.3
60	1 P frigorifique	(Watt)		3324	4644	6145	7844	9755	11891	14263
	2 P absorbée	(W)		2668	3313	3892	4405	4853	5236	5554
	3 I absorbée	(A)		8.49	10.1	11.8	13.4	15.0	16.6	18.1

1 = cooling capacity 2 = power input 3 = current 4 = condensing temperature 5 = evaporating temperature

Nota : Tecumseh se réserve le droit de modifier les informations contenues dans ce document sans préavis.
Note : Tecumseh reserves the right to change information contained in this document without notification.

© 2021 Tecumseh Products Company
All rights reserved