



Compressor
Voltage Code : TZ

TFH4540F

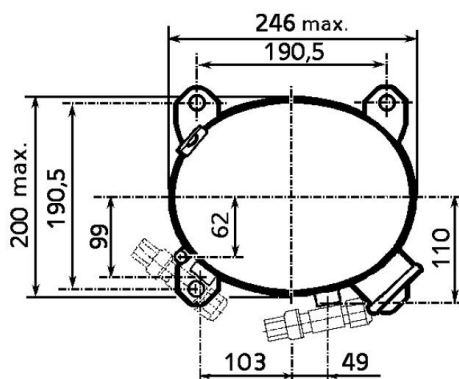
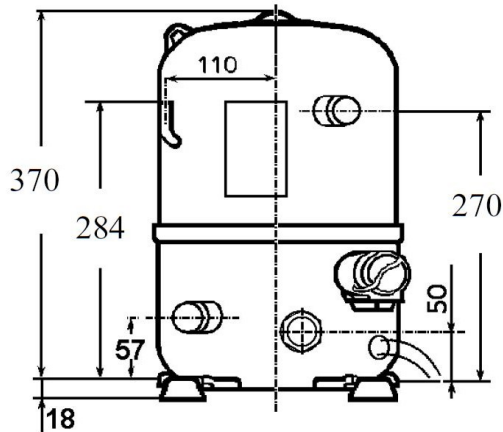
High Temp. Commercial (HP)

400V 3~ 50Hz / 440V 3~ 60 Hz

R22

AHC4540ETZ

Conditions	Frequency	Nominal Cooling Capacity		Sound Power ISO3745 / ISO 3743-1
		Watts	BTU/h	
EN12900_HP / R22	50 Hz / 60 Hz	9226 / 10866	31460 / 37053	75 dBA



Displacement (cc)	74,25
Net Weight (Kg)	33.0
Oil Quantity (cc)	1330.0
Oil Type	Mineral
Expansion Device	Capillary_Tube/Expansion_Valve
Cooling	Fan
Main Winding (Ohm)	4.3
Current	
RLA (A)	6.1 6.6
MCC (A)	8.4 8.7
LRA (A)	36 39
Electrical Equipment	TRI
Overload	Interne
Refrigerating connection for OD	
Suction Tube	22.2 (7/8")
Discharge Tube	12.7 (1/2")
Process Tube	6.35 (1/4")

* EN12900_HP : T°Cond. 50.0°C / T°Evap. 5.0°C / T°Return gas temp.. 20.0°C
T°Subcooling. 0.0K

Certificates :



Note : Tecumseh reserves the right to change information contained in this document without notification.



Tecumseh

TFH4540F	Tension TZ : 400V 3~ 50Hz / 440V 3~ 60 Hz
-----------------	--

Les performances sont données dans les conditions EN12900_HP :	Gaz aspirés :	20.0 °C
Condition Dew	Sous refroidissement :	0.0 K
The performance data are in EN12900_HP conditions :	Return gas :	20.0 °C
Dew Condition	Subcooling :	0.0 K

50 Hz R22										
N°236LU-T										
4 T condensation	5 T évaporation	(°C)	-20	-15	-10	-5	0	5	10	15
40	1 P frigorifique	(Watt)	2764	4153	5666	7298	9044	10902	12864	14928
	2 P absorbée	(W)	1950	2200	2454	2710	2969	3230	3495	3763
	3 I absorbée	(A)	3.97	4.29	4.62	4.95	5.28	5.61	5.93	6.26
50	1 P frigorifique	(Watt)	2135	3332	4644	6067	7596	9226	10950	12764
	2 P absorbée	(W)	1836	2179	2522	2865	3207	3548	3889	4229
	3 I absorbée	(A)	3.74	4.20	4.66	5.12	5.58	6.04	6.51	6.97
60	1 P frigorifique	(Watt)		2459	3589	4821	6149	7569	9073	10654
	2 P absorbée	(W)		2156	2590	3020	3447	3869	4287	4701
	3 I absorbée	(A)		4.12	4.70	5.29	5.89	6.48	7.09	7.69

60 Hz R22										
N°236LU-T										
4 T condensation	5 T évaporation	(°C)	-20	-15	-10	-5	0	5	10	15
40	1 P frigorifique	(Watt)	3297	4987	6791	8704	10722	12840	15053	17357
	2 P absorbée	(W)	2743	2943	3171	3428	3713	4028	4371	4743
	3 I absorbée	(A)	4.32	4.56	4.83	5.14	5.50	5.89	6.32	6.80
50	1 P frigorifique	(Watt)	2542	4001	5567	7237	9005	10866	12814	14843
	2 P absorbée	(W)	2597	2915	3257	3623	4012	4425	4862	5322
	3 I absorbée	(A)	4.09	4.45	4.86	5.31	5.81	6.35	6.94	7.57
60	1 P frigorifique	(Watt)		2952	4303	5751	7290	8915	10618	12393
	2 P absorbée	(W)		2885	3343	3818	4313	4826	5357	5907
	3 I absorbée	(A)		4.37	4.91	5.49	6.13	6.82	7.55	8.33

1 = cooling capacity 2 = power input 3 = current 4 = condensing temperature 5 = evaporating temperature

Nota : Tecumseh se réserve le droit de modifier les informations contenues dans ce document sans préavis.
Note : Tecumseh reserves the right to change information contained in this document without notification.

© 2021 Tecumseh Products Company
All rights reserved