



Compressor
Voltage Code : TZ

TAG4568T

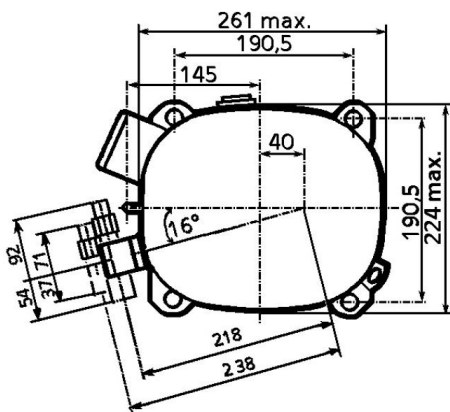
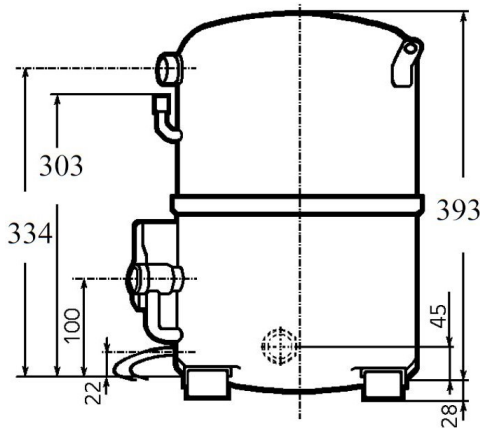
High Temp. Commercial (HP)

400V 3~ 50Hz / 440V 3~ 60 Hz

R22

AGB4568TTZ

Conditions	Frequency	Nominal Cooling Capacity		Sound Power ISO3745 / ISO 3743-1
		Watts	BTU/h	
EN12900_HP / R22	50 Hz / 60 Hz	15428 / 18157	52608 / 61915	75 dBA



Displacement (cc)	124,4
Net Weight (Kg)	48.0
Oil Quantity (cc)	1760.0
Oil Type	Mineral
Expansion Device	Capillary_Tube/Expansion_Valve
Cooling	Fan
Main Winding (Ohm)	2.6
Current	
RLA (A)	9.6 11
MCC (A)	15.6 16.5
LRA (A)	54 59
Electrical Equipment	TRI
Overload	Interne
Refrigerating connection for OD	
Suction Tube	28.6 (1"1/8)
Discharge Tube	15.9 (5/8")
Process Tube	6.35 (1/4")

* EN12900_HP : T°Cond. 50.0°C / T°Evap. 5.0°C / T°Return gas temp.. 20.0°C
T°Subcooling. 0.0K

Certificates :



Note : Tecumseh reserves the right to change information contained in this document without notification.



Tecumseh

TAG4568T	Tension TZ : 400V 3~ 50Hz / 440V 3~ 60 Hz
-----------------	--

Les performances sont données dans les conditions EN12900_HP :	Gaz aspirés :	20.0 °C
Condition Dew	Sous refroidissement :	0.0 K
The performance data are in EN12900_HP conditions :	Return gas :	20.0 °C
Dew Condition	Subcooling :	0.0 K

50 Hz R22										
N°237JU-T										
4 T condensation	5 T évaporation	(°C)	-20	-15	-10	-5	0	5	10	15
40	1 P frigorifique	(Watt)	5337	6995	9126	11717	14754	18224	22111	26400
	2 P absorbée	(W)	2693	3153	3600	4034	4455	4863	5257	5638
	3 I absorbée	(A)	5.15	5.95	6.70	7.40	8.06	8.67	9.23	9.75
50	1 P frigorifique	(Watt)	4156	5603	7468	9737	12395	15428	18818	22549
	2 P absorbée	(W)	2581	3141	3695	4245	4790	5331	5866	6397
	3 I absorbée	(A)	4.95	5.86	6.76	7.63	8.49	9.33	10.2	11.0
60	1 P frigorifique	(Watt)		4147	5774	7749	10056	12678	15599	18799
	2 P absorbée	(W)		3143	3804	4469	5137	5810	6486	7165
	3 I absorbée	(A)		5.78	6.82	7.87	8.93	10.00	11.1	12.2

60 Hz R22										
N°237JU-T										
4 T condensation	5 T évaporation	(°C)	-20	-15	-10	-5	0	5	10	15
40	1 P frigorifique	(Watt)	6392	8352	10853	13879	17417	21448	25956	30924
	2 P absorbée	(W)	4093	4586	5070	5545	6010	6467	6915	7354
	3 I absorbée	(A)	6.36	7.15	7.90	8.61	9.27	9.90	10.5	11.0
50	1 P frigorifique	(Watt)	4978	6691	8882	11535	14632	18157	22091	26414
	2 P absorbée	(W)	3922	4565	5204	5839	6469	7096	7718	8336
	3 I absorbée	(A)	6.11	7.04	7.97	8.88	9.77	10.7	11.5	12.4
60	1 P frigorifique	(Watt)		4955	6869	9180	11870	14920	18312	22023
	2 P absorbée	(W)		4571	5363	6156	6949	7743	8538	9333
	3 I absorbée	(A)		6.95	8.04	9.15	10.3	11.4	12.6	13.7

1 = cooling capacity 2 = power input 3 = current 4 = condensing temperature 5 = evaporating temperature

Nota : Tecumseh se réserve le droit de modifier les informations contenues dans ce document sans préavis.
Note : Tecumseh reserves the right to change information contained in this document without notification.

© 2021 Tecumseh Products Company
All rights reserved