



Compressor
Voltage Code : FZ

AJ5515C-FZ

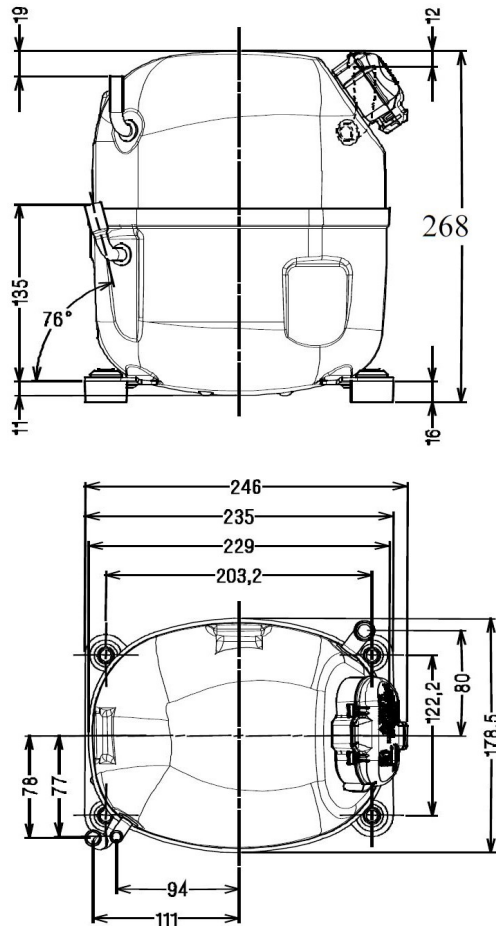
Air Conditioning & Heating (CA)

220 - 240V 1~ 50 Hz

R407C

AJ5515C-FZ3C

Conditions	Frequency	Nominal Cooling Capacity		Sound Power ISO3745 / ISO 3743-1
		Watts	BTU/h	
EN12900 / R407C	50 Hz	3312	11292	64 dBA



Displacement (cc)	25,95
Net Weight (Kg)	19.2
Oil Quantity (cc)	475.0
Oil Type	Polyolester
Expansion Device	Capillary_Tube
Cooling	Fan
Main Winding (Ohm)	1.73
Start Winding (Ohm)	8.1
Current	
RLA (A)	7.3
MCC (A)	12
LRA (A)	36
Electrical Equipment	PTCSCR,CSR,PSC
Overload	MST00AHW
Time Check	2.8s - 5.2s / 33.5 A
Open Temp	135° C
Close Temp	61° C
Optional	T0478
Start Capacitor	21 µF / 330 V
Run Capacitor	20 µF / 400 V
Potential Relay	RVA4G**
Pick Up	180/195V
Drop Out	40/105V
Optional	3ARR3*6AS*
Refrigerating connection for OD	
Suction Tube	12.7 (1/2")
Discharge Tube	7.9 (5/16")
Process Tube	6.35 (1/4")

* EN12900 : T°Cond. 50.0°C / T°Evap. 5.0°C / T°Superheat. 10.0°C
T°Subcooling. 0.0K

Certificates :



Note : Tecumseh reserves the right to change information contained in this document without notification.



Tecumseh

AJ5515C-FZ	Tension FZ : 220 - 240V 1~ 50 Hz
-------------------	---

Les performances sont données dans les conditions EN12900 :	Surchauffe :	10.0 K
Condition Mid	Sous refroidissement :	0.0 K
The performance data are in EN12900 conditions :	Superheat :	10.0 K
Mid Condition	Subcooling :	0.0 K

50 Hz R407C

N°341JG-FZ

4 T condensation	5 T évaporation	(°C)	-25	-20	-15	-10	-5	0	5	10	15
40	1 P frigorifique	(Watt)				1871	2501	3237	4081	5032	6090
	2 P absorbée	(W)				1074	1185	1274	1342	1389	1414
	3 I absorbée	(A)				5.94	6.19	6.44	6.70	6.97	7.23
50	1 P frigorifique	(Watt)					1950	2579	3312	4148	5089
	2 P absorbée	(W)					1213	1336	1449	1552	1644
	3 I absorbée	(A)					6.44	6.85	7.25	7.64	8.02
60	1 P frigorifique	(Watt)						1932	2553	3276	4100
	2 P absorbée	(W)						1390	1544	1699	1854
	3 I absorbée	(A)						7.24	7.77	8.29	8.78

© 2021 Tecumseh Products Company
All rights reserved

1 = cooling capacity 2 = power input 3 = current 4 = condensing temperature 5 = evaporating temperature

Nota : Tecumseh se réserve le droit de modifier les informations contenues dans ce document sans préavis.
Note : Tecumseh reserves the right to change information contained in this document without notification.