



Compressor  
Voltage Code : FZ

CAJ9480T-FZ

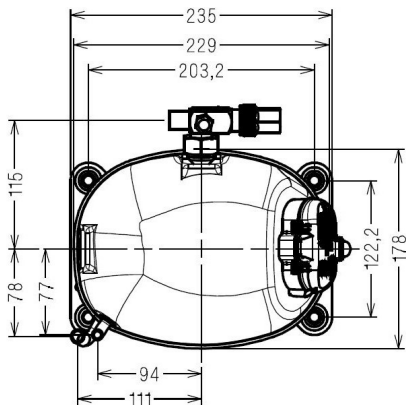
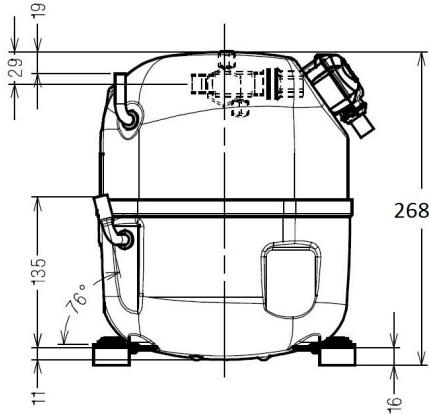
High Temp. Commercial (MHP)

220 - 240V 1~ 50 Hz

R22

AJK480T-FZ3B

Conditions	Frequency	Nominal Cooling Capacity		Sound Power ISO3745 / ISO 3743-1
		Watts	BTU/h	
EN12900_HP / R22	50 Hz	1854	6322	



<b>Displacement (cc)</b>	15,2
<b>Net Weight (Kg)</b>	19.1
<b>Oil Quantity (cc)</b>	475.0
<b>Oil Type</b>	Synthetic_Alkylate
<b>Expansion Device</b>	Capillary_Tube/Expansion_Valve
<b>Cooling</b>	Fan
<b>Main Winding (Ohm)</b>	3.8
<b>Start Winding (Ohm)</b>	12.5
<b>Current</b>	
RLA (A)	3.9
MCC (A)	5.3
LRA (A)	24.1
<b>Electrical Equipment</b>	CSR
<b>Overload</b>	
Time Check	MST22ALK
Open Temp	7.5s - 14s / 15.3 A
Close Temp	105° C
Optional	61° C
	T0155
<b>Start Capacitor</b>	88 µF / 250 V
<b>Run Capacitor</b>	15 µF / 400 V
<b>Potential Relay</b>	
Pick Up	RVA4I**
Drop Out	204/233V
Optional	50/110V
	3ARR3*6AU*
<b>Refrigerating connection for OD</b>	
Suction Tube	12.7 (1/2")
Discharge Tube	7.9 (5/16")
Process Tube	6.35 (1/4")

\* EN12900\_HP : T°Cond. 50.0°C / T°Evap. 5.0°C / T°Return gas temp.. 20.0°C  
T°Subcooling. 0.0K

Certificates :



Note : Tecumseh reserves the right to change information contained in this document without notification.



**Tecumseh**

<b>CAJ9480T-FZ</b>	<b>Tension FZ : 220 - 240V 1~ 50 Hz</b>
--------------------	---

Les performances sont données dans les <b>conditions EN12900_HP :</b> Condition Dew	Gaz aspirés : 20.0 °C Sous refroidissement : 0.0 K
The performance data are in <b>EN12900_HP conditions :</b> Dew Condition	Return gas : 20.0 °C Subcooling : 0.0 K

**50 Hz R22**

**N°234CT-FZ**

4   T condensation	5   T évaporation	(°C)	-20	-15	-10	-5	0	5	10	15
<b>40</b>	1   P frigorifique	(Watt)	711	913	1154	1440	1779	2179	2646	3188
	2   P absorbée	(W)	497	547	592	633	668	698	724	745
	3   I absorbée	(A)	2.44	2.66	2.87	3.05	3.21	3.35	3.46	3.55
<b>50</b>	1   P frigorifique	(Watt)	582	762	971	1218	1510	1854	2257	2727
	2   P absorbée	(W)	509	576	637	694	745	791	832	868
	3   I absorbée	(A)	2.47	2.77	3.06	3.31	3.55	3.76	3.95	4.12
<b>60</b>	1   P frigorifique	(Watt)		610	791	1001	1248	1539	1881	2281
	2   P absorbée	(W)		588	669	744	814	879	938	992
	3   I absorbée	(A)		2.85	3.21	3.55	3.86	4.14	4.41	4.65

© 2021 Tecumseh Products Company  
All rights reserved

1 = cooling capacity 2 = power input 3 = current 4 = condensing temperature 5 = evaporating temperature

**Nota : Tecumseh se réserve le droit de modifier les informations contenues dans ce document sans préavis.**

**Note : Tecumseh reserves the right to change information contained in this document without notification.**