



Compressor  
Voltage Code : TZ

TFH4531F

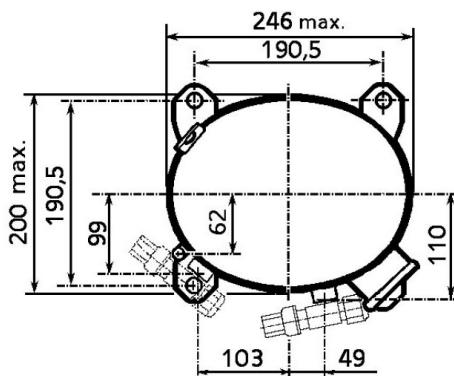
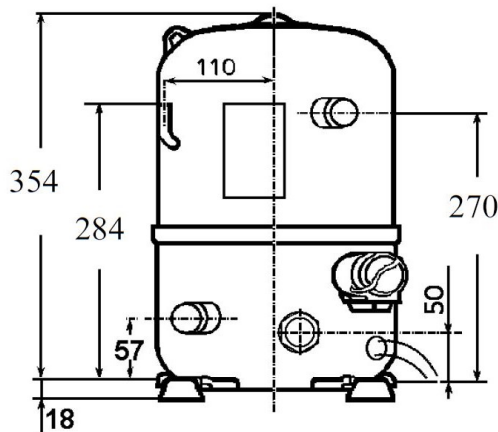
High Temp. Commercial (HP)

400V 3~ 50Hz / 440V 3~ 60 Hz

R22

AHC4531ETZ

Conditions	Frequency	Nominal Cooling Capacity		Sound Power ISO3745 / ISO 3743-1
		Watts	BTU/h	
EN12900_HP / R22	50 Hz / 60 Hz	7057 / 8310	24064 / 28339	71 dBA



Displacement (cc)	56,65
Net Weight (Kg)	31.0
Oil Quantity (cc)	1330.0
Oil Type	Mineral
Expansion Device	Capillary_Tube/Expansion_Valve
Cooling	Fan
Main Winding (Ohm)	6.1
<b>Current</b>	
RLA (A)	4.8   5.1
MCC (A)	6.6   7.3
LRA (A)	27   31
<b>Electrical Equipment</b>	TRI
<b>Overload</b>	Interne
<b>Refrigerating connection for OD</b>	
Suction Tube	22.2 (7/8")
Discharge Tube	12.7 (1/2")
Process Tube	6.35 (1/4")

\* EN12900\_HP : T°Cond. 50.0°C / T°Evap. 5.0°C / T°Return gas temp.. 20.0°C  
T°Subcooling. 0.0K

Certificates :



Note : Tecumseh reserves the right to change information contained in this document without notification.



**Tecumseh**

<b>TFH4531F</b>	<b>Tension TZ : 400V 3~ 50Hz / 440V 3~ 60 Hz</b>
-----------------	--

Les performances sont données dans les <b>conditions EN12900_HP</b> :	Gaz aspirés :	20.0 °C
Condition Dew	Sous refroidissement :	0.0 K
The performance data are in <b>EN12900_HP conditions</b> :	Return gas :	20.0 °C
Dew Condition	Subcooling :	0.0 K

<b>50 Hz R22</b>										
<b>N°236JU-T</b>										
4   T condensation	5   T évaporation	(°C)	-20	-15	-10	-5	0	5	10	15
<b>40</b>	1   P frigorifique	(Watt)	2758	3625	4620	5740	6980	8337	9806	11382
	2   P absorbée	(W)	1649	1827	1998	2163	2320	2470	2613	2750
	3   I absorbée	(A)	3.38	3.55	3.71	3.88	4.04	4.21	4.38	4.55
<b>50</b>	1   P frigorifique	(Watt)	2145	2908	3785	4772	5864	7057	8346	9725
	2   P absorbée	(W)	1552	1810	2054	2286	2506	2713	2908	3090
	3   I absorbée	(A)	3.20	3.47	3.74	4.01	4.27	4.54	4.80	5.06
<b>60</b>	1   P frigorifique	(Watt)		2151	2923	3791	4748	5791	6914	8110
	2   P absorbée	(W)		1791	2110	2411	2694	2959	3205	3435
	3   I absorbée	(A)		3.40	3.77	4.14	4.51	4.87	5.23	5.58

<b>60 Hz R22</b>										
<b>N°236JU-T</b>										
4   T condensation	5   T évaporation	(°C)	-20	-15	-10	-5	0	5	10	15
<b>40</b>	1   P frigorifique	(Watt)	3295	4351	5535	6844	8273	9818	11474	13237
	2   P absorbée	(W)	1569	1929	2264	2575	2861	3123	3360	3573
	3   I absorbée	(A)	2.64	3.05	3.45	3.82	4.17	4.50	4.81	5.09
<b>50</b>	1   P frigorifique	(Watt)	2557	3488	4534	5689	6950	8310	9766	11312
	2   P absorbée	(W)	1461	1909	2329	2723	3089	3428	3740	4024
	3   I absorbée	(A)	2.47	2.98	3.47	3.95	4.41	4.85	5.27	5.68
<b>60</b>	1   P frigorifique	(Watt)		2578	3501	4519	5627	6819	8091	9435
	2   P absorbée	(W)		1887	2394	2871	3318	3736	4123	4480
	3   I absorbée	(A)		2.92	3.51	4.08	4.65	5.20	5.74	6.27

1 = cooling capacity 2 = power input 3 = current 4 = condensing temperature 5 = evaporating temperature

**Nota : Tecumseh se réserve le droit de modifier les informations contenues dans ce document sans préavis.**  
**Note : Tecumseh reserves the right to change information contained in this document without notification.**

© 2021 Tecumseh Products Company  
All rights reserved