

Compressor  
Voltage Code : FZ

# AE4440Y-FZ1A

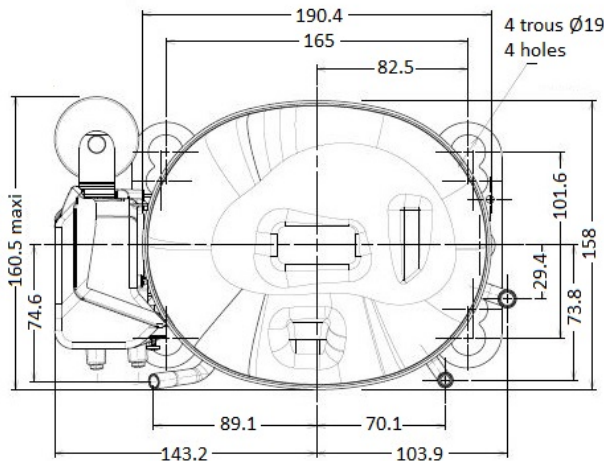
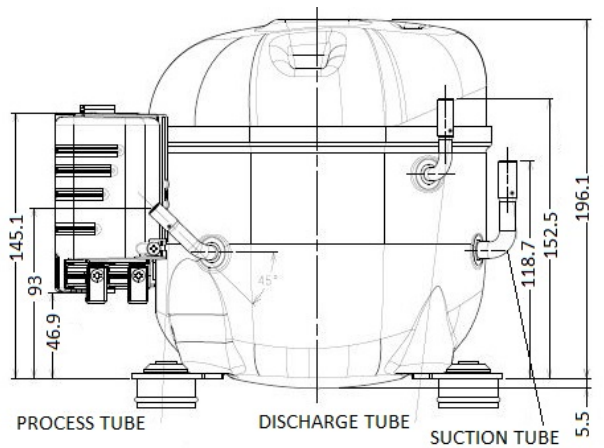
High Temp. Commercial (HP)

220 - 240V 1~ 50 Hz

R134a / R513A

AE4440Y-FZ1A\_BF

Conditions	Frequency	Nominal Cooling Capacity		Sound Power ISO3745 / ISO 3743-1
		Watts	BTU/h	
EN12900_HP / R134a	50 Hz	899	3065	52 dBA
EN12900_HP / R513A	50 Hz	915	3119	52 dBA



\* EN12900\_HP : T°Cond. 50.0°C / T°Evap. 5.0°C / T°Return gas temp.. 20.0°C  
T°Subcooling. 0.0K

Certificates :



<b>Displacement (cc)</b>	10,33
<b>Net Weight (Kg)</b>	9.8
<b>Oil Quantity (cc)</b>	280.0
<b>Oil Type</b>	Polyolester
<b>Expansion Device</b>	Capillary_Tube/Expansion_Valve
<b>Cooling</b>	Fan
<b>Main Winding (Ohm)</b>	8.1
<b>Start Winding (Ohm)</b>	18.3
<b>Current</b>	
RLA (A)	2.5
MCC (A)	3.7
LRA (A)	13.2
<b>Electrical Equipment</b>	CSIR
<b>Overload</b>	T0759
Time Check	2.8s - 5.2s / 14.5 A
Open Temp	145° C
Close Temp	61° C
<b>Start Capacitor</b>	88 µF / 250 V
<b>Current Relay</b>	MTRP0029
Pick Up	7,7A
Drop Out	6,5A
<b>Refrigerating connection for OD</b>	
Suction Tube	7.9 (5/16")
Discharge Tube	6.35 (1/4")
Process Tube	6.35 (1/4")

Note : Tecumseh reserves the right to change information contained in this document without notification.



**Tecumseh**

<b>AE4440Y-FZ1A</b>	<b>Tension FZ : 220 - 240V 1~ 50 Hz</b>
---------------------	-----------------------------------------

Les performances sont données dans les <b>conditions EN12900_HP</b> :	Gaz aspirés :	20.0 °C
Condition Dew	Sous refroidissement :	0.0 K
The performance data are in <b>EN12900_HP conditions</b> :	Return gas :	20.0 °C
Dew Condition	Subcooling :	0.0 K

<b>50 Hz R134a</b>											
<b>N°3061</b>											
4   T condensation	5   T évaporation	(°C)	-25	-20	-15	-10	-5	0	5	10	15
<b>30</b>	1   P frigorifique	(Watt)	290	380	488	619	775	960	1176	1426	1715
	2   P absorbée	(W)	209	231	253	276	298	318	336	351	363
	3   I absorbée	(A)	1.99	2.01	2.04	2.09	2.15	2.21	2.29	2.39	2.49
<b>40</b>	1   P frigorifique	(Watt)	249	332	429	545	684	847	1038	1260	1517
	2   P absorbée	(W)	217	241	266	293	321	348	375	399	422
	3   I absorbée	(A)	1.90	1.94	2.00	2.06	2.14	2.23	2.33	2.44	2.56
<b>50</b>	1   P frigorifique	(Watt)		283	369	471	591	733	899	1093	1317
	2   P absorbée	(W)		254	281	312	344	378	412	446	478
	3   I absorbée	(A)		1.94	2.01	2.09	2.19	2.30	2.42	2.55	2.70
<b>60</b>	1   P frigorifique	(Watt)			311	398	499	619	760	926	1118
	2   P absorbée	(W)			303	336	373	412	453	495	537
	3   I absorbée	(A)			2.08	2.19	2.30	2.43	2.57	2.72	2.89

<b>50 Hz R513A</b>											
<b>N°3173</b>											
4   T condensation	5   T évaporation	(°C)	-25	-20	-15	-10	-5	0	5	10	15
<b>30</b>	1   P frigorifique	(Watt)	334	429	541	673	826	1003	1207	1440	1704
	2   P absorbée	(W)	233	253	274	296	317	340	362	385	409
	3   I absorbée	(A)	2.21	2.20	2.21	2.24	2.28	2.36	2.47	2.62	2.80
<b>40</b>	1   P frigorifique	(Watt)	281	367	468	586	723	883	1067	1277	1517
	2   P absorbée	(W)	237	261	286	312	339	367	396	426	457
	3   I absorbée	(A)	2.08	2.11	2.15	2.20	2.26	2.35	2.46	2.60	2.78
<b>50</b>	1   P frigorifique	(Watt)		308	394	496	615	754	915	1100	1312
	2   P absorbée	(W)		271	300	331	363	397	432	469	508
	3   I absorbée	(A)		2.07	2.14	2.22	2.31	2.41	2.54	2.68	2.86
<b>60</b>	1   P frigorifique	(Watt)			327	409	507	622	757	914	1096
	2   P absorbée	(W)			318	353	391	431	473	517	564
	3   I absorbée	(A)			2.18	2.29	2.42	2.54	2.69	2.85	3.03

1 = cooling capacity 2 = power input 3 = current 4 = condensing temperature 5 = evaporating temperature

**Nota : Tecumseh se réserve le droit de modifier les informations contenues dans ce document sans préavis.**

**Note : Tecumseh reserves the right to change information contained in this document without notification.**

© 2021 Tecumseh Products Company  
All rights reserved