



Compressor
Voltage Code : TZ

TFH4518Y

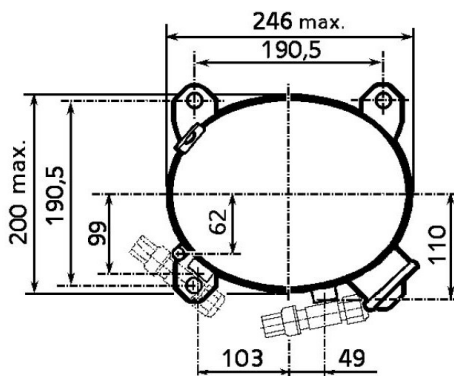
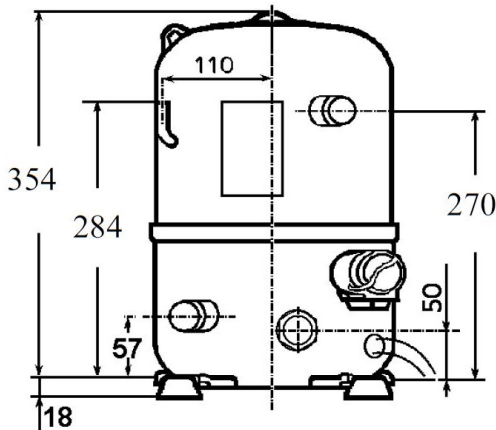
High Temp. Commercial (HP)

400V 3~ 50Hz / 440V 3~ 60 Hz

R134a

AHC4518YTZ

Conditions	Frequency	Nominal Cooling Capacity		Sound Power ISO3745 / ISO 3743-1
		Watts	BTU/h	
EN12900_HP / R134a	50 Hz / 60 Hz	4106 / 4605	14003 / 15702	67 dBA



Displacement (cc)	53,2
Net Weight (Kg)	30.0
Oil Quantity (cc)	1330.0
Oil Type	Polyolester
Expansion Device	Capillary_Tube/Expansion_Valve
Cooling	Fan
Main Winding (Ohm)	6.3
Current	
RLA (A)	3.4 3.5
MCC (A)	4.2 4.6
LRA (A)	24 25
Electrical Equipment	TRI
Overload	Interne
Refrigerating connection for OD	
Suction Tube	15.9 (5/8")
Discharge Tube	12.7 (1/2")
Process Tube	6.35 (1/4")

* EN12900_HP : T°Cond. 50.0°C / T°Evap. 5.0°C / T°Return gas temp.. 20.0°C
T°Subcooling. 0.0K

Certificates :



Note : Tecumseh reserves the right to change information contained in this document without notification.



Tecumseh

TFH4518Y	Tension TZ : 400V 3~ 50Hz / 440V 3~ 60 Hz
-----------------	--

Les performances sont données dans les conditions EN12900_HP :	Gaz aspirés :	20.0 °C
Condition Dew	Sous refroidissement :	0.0 K
The performance data are in EN12900_HP conditions :	Return gas :	20.0 °C
Dew Condition	Subcooling :	0.0 K

© 2021 Tecumseh Products Company
All rights reserved

50 Hz R134a

N°216GU-T

4 T condensation	5 T évaporation	(°C)	-25	-20	-15	-10	-5	0	5	10	15
30	1 P frigorifique	(Watt)	930	1392	1953	2629	3436	4390	5507	6803	8293
	2 P absorbée	(W)	729	852	974	1093	1204	1305	1391	1459	1506
	3 I absorbée	(A)	2.64	2.72	2.80	2.89	2.99	3.09	3.19	3.30	3.42
40	1 P frigorifique	(Watt)	658	1088	1604	2222	2957	3826	4844	6027	7391
	2 P absorbée	(W)	712	851	995	1143	1289	1430	1564	1685	1791
	3 I absorbée	(A)	2.55	2.67	2.80	2.94	3.07	3.22	3.36	3.52	3.68
50	1 P frigorifique	(Watt)		772	1231	1778	2429	3200	4106	5165	6390
	2 P absorbée	(W)		824	986	1156	1332	1508	1683	1852	2012
	3 I absorbée	(A)		2.59	2.76	2.94	3.12	3.31	3.50	3.70	3.90
60	1 P frigorifique	(Watt)			864	1327	1882	2542	3325	4246	5321
	2 P absorbée	(W)			951	1139	1338	1544	1755	1966	2174
	3 I absorbée	(A)			2.69	2.91	3.13	3.36	3.60	3.84	4.08

60 Hz R134a

N°216GU-T

4 T condensation	5 T évaporation	(°C)	-25	-20	-15	-10	-5	0	5	10	15
30	1 P frigorifique	(Watt)	1138	1637	2258	3024	3956	5079	6413	7981	9807
	2 P absorbée	(W)	849	1007	1171	1332	1483	1616	1725	1801	1837
	3 I absorbée	(A)	2.25	2.37	2.50	2.65	2.81	2.99	3.18	3.39	3.62
40	1 P frigorifique	(Watt)	801	1247	1798	2476	3304	4304	5499	6911	8563
	2 P absorbée	(W)	802	977	1167	1365	1565	1757	1935	2091	2217
	3 I absorbée	(A)	2.15	2.31	2.49	2.68	2.89	3.12	3.36	3.61	3.88
50	1 P frigorifique	(Watt)		876	1356	1947	2670	3548	4605	5861	7339
	2 P absorbée	(W)		915	1122	1347	1583	1823	2060	2285	2491
	3 I absorbée	(A)		2.20	2.42	2.66	2.92	3.19	3.48	3.78	4.10
60	1 P frigorifique	(Watt)			945	1448	2067	2824	3742	4842	6147
	2 P absorbée	(W)			1047	1288	1551	1828	2112	2396	2671
	3 I absorbée	(A)			2.31	2.59	2.89	3.21	3.54	3.89	4.25

1 = cooling capacity 2 = power input 3 = current 4 = condensing temperature 5 = evaporating temperature

Nota : Tecumseh se réserve le droit de modifier les informations contenues dans ce document sans préavis.

Note : Tecumseh reserves the right to change information contained in this document without notification.