



Compressor  
Voltage Code : FZ

**FH2511Z**

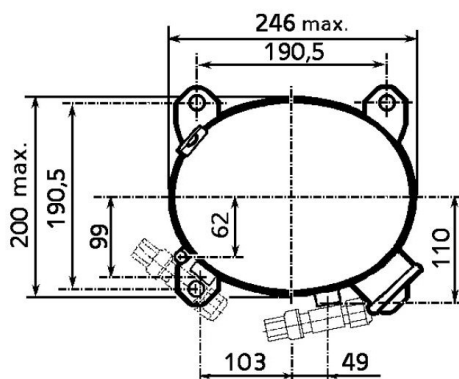
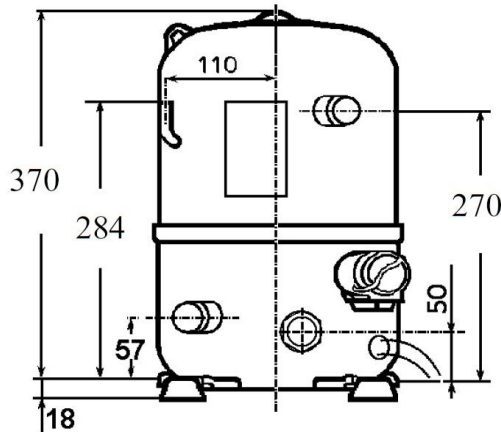
Low Temp. Commercial (BP)

220 - 240V 1~ 50 Hz

R452A / R404A / R448A / R449A

**AHC2490ZFZ**

Conditions	Frequency	Nominal Cooling Capacity		Sound Power ISO3745 / ISO 3743-1
		Watts	BTU/h	
EN12900 / R452A	50 Hz	1389	4738	74 dBA
EN12900 / R404A	50 Hz	1509	5146	74 dBA
EN12900 / R448A	50 Hz	1175	4006	74 dBA
EN12900 / R449A	50 Hz	1175	4006	74 dBA



\* EN12900 : T°Cond. 40.0°C / T°Evap. -35.0°C / T°Return gas temp.. 20.0°C  
T°Subcooling. 0.0K

Certificates :



<b>Displacement (cc)</b>	74,2
<b>Net Weight (Kg)</b>	37.0
<b>Oil Quantity (cc)</b>	1330.0
<b>Oil Type</b>	Polyolester
<b>Expansion Device</b>	Capillary_Tube/Expansion_Valve
<b>Cooling</b>	Fan
<b>Main Winding (Ohm)</b>	0.7
<b>Start Winding (Ohm)</b>	3.3
<b>Current</b>	
RLA (A)	11.5
MCC (A)	24
LRA (A)	81
<b>Electrical Equipment</b>	CSR
<b>Overload</b>	Interne
<b>Start Capacitor</b>	156 µF / 330 V
<b>Run Capacitor</b>	25 µF / 400 V
<b>Potential Relay</b>	RVA4I**
Pick Up	204/233V
Drop Out	50/110V
Optional	3ARR3*6AU*
<b>Refrigerating connection for OD</b>	
Suction Tube	15.9 (5/8")
Discharge Tube	12.7 (1/2")
Process Tube	6.35 (1/4")

Note : Tecumseh reserves the right to change information contained in this document without notification.





Tecumseh

<b>FH2511Z</b>	<b>Tension FZ : 220 - 240V 1~ 50 Hz</b>
----------------	---

Les performances sont données dans les **conditions EN12900** :  
Condition Dew  
The performance data are in **EN12900 conditions** :  
Dew Condition

Gaz aspirés : 20.0 °C  
Sous refroidissement : 0.0 K  
Return gas : 20.0 °C  
Subcooling : 0.0 K

<b>50 Hz R452A</b>									
 <b>N°1119</b>									
4   T condensation	5   T évaporation	(°C)	<b>-40</b>	<b>-35</b>	<b>-30</b>	<b>-25</b>	<b>-20</b>	<b>-15</b>	<b>-10</b>
<b>30</b>	1   P frigorifique	(Watt)	1265	1831	2510	3315	4262	5368	6647
	2   P absorbée	(W)	1241	1473	1708	1947	2193	2449	2716
	3   I absorbée	(A)	7.68	8.34	9.14	10.1	11.2	12.4	13.8
<b>40</b>	1   P frigorifique	(Watt)	872	1389	2004	2731	3586	4584	5742
	2   P absorbée	(W)	1136	1416	1702	1995	2297	2612	2941
	3   I absorbée	(A)	7.37	8.22	9.19	10.3	11.5	12.9	14.5
<b>50</b>	1   P frigorifique	(Watt)		934	1470	2105	2854	3732	4756
	2   P absorbée	(W)		1299	1634	1979	2337	2709	3098
	3   I absorbée	(A)		7.85	8.99	10.3	11.7	13.2	14.9
<b>60</b>	1   P frigorifique	(Watt)				1479	2107	2851	3726
	2   P absorbée	(W)				1904	2315	2743	3192
	3   I absorbée	(A)				9.97	11.5	13.2	15.0

<b>50 Hz R404A</b>									
 <b>N°126LT-F</b>									
4   T condensation	5   T évaporation	(°C)	<b>-40</b>	<b>-35</b>	<b>-30</b>	<b>-25</b>	<b>-20</b>	<b>-15</b>	<b>-10</b>
<b>30</b>	1   P frigorifique	(Watt)	1387	1990	2705	3543	4517	5639	6921
	2   P absorbée	(W)	1329	1581	1833	2084	2338	2597	2861
	3   I absorbée	(A)	8.23	8.95	9.81	10.8	11.9	13.2	14.6
<b>40</b>	1   P frigorifique	(Watt)	962	1509	2151	2898	3765	4763	5904
	2   P absorbée	(W)	1237	1534	1835	2139	2451	2770	3099
	3   I absorbée	(A)	8.03	8.90	9.91	11.0	12.3	13.7	15.3
<b>50</b>	1   P frigorifique	(Watt)		1017	1577	2226	2977	3842	4833
	2   P absorbée	(W)		1424	1774	2132	2500	2880	3274
	3   I absorbée	(A)		8.61	9.76	11.0	12.5	14.0	15.7
<b>60</b>	1   P frigorifique	(Watt)			1008	1550	2177	2901	3734
	2   P absorbée	(W)			1654	2065	2490	2931	3390
	3   I absorbée	(A)			9.37	10.8	12.4	14.1	15.9

1 = cooling capacity 2 = power input 3 = current 4 = condensing temperature 5 = evaporating temperature

**Nota : Tecumseh se réserve le droit de modifier les informations contenues dans ce document sans préavis.**  
**Note : Tecumseh reserves the right to change information contained in this document without notification.**

© 2021 Tecumseh Products Company  
All rights reserved



**Tecumseh**

<b>FH2511Z</b>	<b>Tension FZ : 220 - 240V 1~ 50 Hz</b>
----------------	---

Les performances sont données dans les <b>conditions EN12900</b> :	Gaz aspirés :	20.0 °C
Condition Dew	Sous refroidissement :	0.0 K
The performance data are in <b>EN12900 conditions</b> :	Return gas :	20.0 °C
Dew Condition	Subcooling :	0.0 K

<b>50 Hz R448A (*)</b>								
<b>N°2769</b>								
4   T condensation	5   T évaporation	(°C)	<b>-35</b>	<b>-30</b>	<b>-25</b>	<b>-20</b>	<b>-15</b>	<b>-10</b>
<b>30</b>	1   P frigorifique	(Watt)	1552	2215	3017	3971	5091	6393
	2   P absorbée	(W)	1366	1599	1834	2074	2321	2579
	3   I absorbée	(A)	7.73	8.56	9.50	10.6	11.8	13.1
<b>40</b>	1   P frigorifique	(Watt)	1175	1768	2488	3348	4363	5548
	2   P absorbée	(W)	1331	1608	1890	2178	2474	2783
	3   I absorbée	(A)	7.72	8.68	9.76	10.9	12.3	13.7
<b>50</b>	1   P frigorifique	(Watt)	796	1318	1955	2721	3629	4696
	2   P absorbée	(W)	1231	1559	1891	2231	2582	2946
	3   I absorbée	(A)	7.44	8.58	9.80	11.1	12.6	14.1
<b>60</b>	1   P frigorifique	(Watt)			1456	2126	2928	3875
	2   P absorbée	(W)			1831	2229	2638	3061
	3   I absorbée	(A)			9.59	11.1	12.7	14.4

<b>50 Hz R449A (*)</b>								
<b>N°2028</b>								
4   T condensation	5   T évaporation	(°C)	<b>-35</b>	<b>-30</b>	<b>-25</b>	<b>-20</b>	<b>-15</b>	<b>-10</b>
<b>30</b>	1   P frigorifique	(Watt)	1552	2215	3017	3971	5091	6393
	2   P absorbée	(W)	1366	1599	1834	2074	2321	2579
	3   I absorbée	(A)	7.73	8.56	9.50	10.6	11.8	13.1
<b>40</b>	1   P frigorifique	(Watt)	1175	1768	2488	3348	4363	5548
	2   P absorbée	(W)	1331	1608	1890	2178	2474	2783
	3   I absorbée	(A)	7.72	8.68	9.76	10.9	12.3	13.7
<b>50</b>	1   P frigorifique	(Watt)	796	1318	1955	2721	3629	4696
	2   P absorbée	(W)	1231	1559	1891	2231	2582	2946
	3   I absorbée	(A)	7.44	8.58	9.80	11.1	12.6	14.1
<b>60</b>	1   P frigorifique	(Watt)			1456	2126	2928	3875
	2   P absorbée	(W)			1831	2229	2638	3061
	3   I absorbée	(A)			9.59	11.1	12.7	14.4



1 = cooling capacity 2 = power input 3 = current 4 = condensing temperature 5 = evaporating temperature

(\*) Veuillez vous référer strictement aux Recommandations d'Utilisation et Bulletins Marketing Tecumseh du fait de la température de reflux élevée pour les applications LBP.

(\*) Due to very high discharge temperature especially on LBP conditions, please strictly refer to Tecumseh Guidelines & Marketing Bulletin when using this refrigerant.

**Nota : Tecumseh se réserve le droit de modifier les informations contenues dans ce document sans préavis.**

**Note : Tecumseh reserves the right to change information contained in this document without notification.**

© 2021 Tecumseh Products Company  
All rights reserved