



Compressor  
Voltage Code : FZ

**FH4524F**

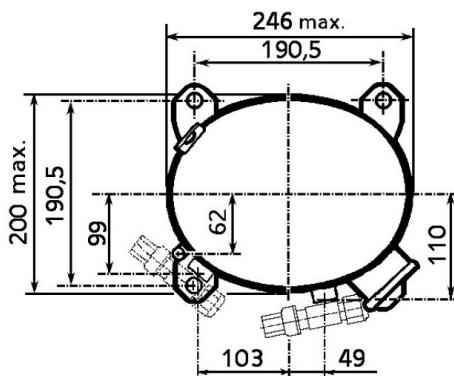
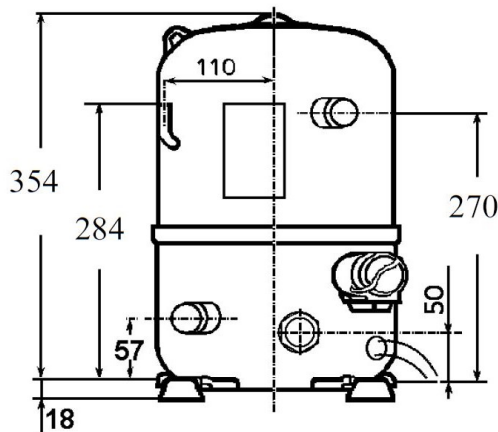
High Temp. Commercial (HP)

220 - 240V 1~ 50 Hz

R22

**AHC4524EFZ**

Conditions	Frequency	Nominal Cooling Capacity		Sound Power ISO3745 / ISO 3743-1
		Watts	BTU/h	
EN12900_HP / R22	50 Hz	5287	18030	73 dBA



<b>Displacement (cc)</b>	43,5
<b>Net Weight (Kg)</b>	34.0
<b>Oil Quantity (cc)</b>	1330.0
<b>Oil Type</b>	Mineral
<b>Expansion Device</b>	Capillary_Tube/Expansion_Valve
<b>Cooling</b>	Fan
<b>Main Winding (Ohm)</b>	1.17
<b>Start Winding (Ohm)</b>	3.85
<b>Current</b>	
RLA (A)	9.6
MCC (A)	13.8
LRA (A)	51
<b>Electrical Equipment</b>	CSR
<b>Overload</b>	Interne
<b>Start Capacitor</b>	100 µF / 330 V
<b>Run Capacitor</b>	30 µF / 400 V
<b>Potential Relay</b>	RVA4I**
Pick Up	204/233V
Drop Out	50/110V
Optional	3ARR3*6AU*
<b>Refrigerating connection for OD</b>	
Suction Tube	15.9 (5/8")
Discharge Tube	12.7 (1/2")
Process Tube	6.35 (1/4")

\* EN12900\_HP : T°Cond. 50.0°C / T°Evap. 5.0°C / T°Return gas temp.. 20.0°C  
T°Subcooling. 0.0K

Certificates :



Note : Tecumseh reserves the right to change information contained in this document without notification.



**Tecumseh**

<b>FH4524F</b>	<b>Tension FZ : 220 - 240V 1~ 50 Hz</b>
----------------	---

Les performances sont données dans les <b>conditions EN12900_HP :</b> Condition Dew	Gaz aspirés : 20.0 °C Sous refroidissement : 0.0 K
The performance data are in <b>EN12900_HP conditions :</b> Dew Condition	Return gas : 20.0 °C Subcooling : 0.0 K

**50 Hz R22**

**N°236ET-F**

4   T condensation	5   T évaporation	(°C)	<b>-20</b>	<b>-15</b>	<b>-10</b>	<b>-5</b>	<b>0</b>	<b>5</b>	<b>10</b>	<b>15</b>
<b>40</b>	1   P frigorifique	(Watt)	2012	2545	3240	4091	5095	6246	7539	8969
	2   P absorbée	(W)	1348	1458	1567	1676	1784	1891	1997	2103
	3   I absorbée	(A)	5.46	6.20	6.87	7.49	8.04	8.54	8.98	9.36
<b>50</b>	1   P frigorifique	(Watt)	1576	2044	2654	3401	4281	5287	6416	7660
	2   P absorbée	(W)	1272	1444	1610	1771	1927	2077	2222	2361
	3   I absorbée	(A)	5.13	6.05	6.92	7.74	8.50	9.20	9.85	10.4
<b>60</b>	1   P frigorifique	(Watt)		1512	2048	2702	3468	4340	5314	6383
	2   P absorbée	(W)		1429	1653	1867	2071	2265	2449	2623
	3   I absorbée	(A)		5.93	6.99	8.00	8.96	9.87	10.7	11.5

© 2021 Tecumseh Products Company  
All rights reserved

1 = cooling capacity 2 = power input 3 = current 4 = condensing temperature 5 = evaporating temperature

**Nota : Tecumseh se réserve le droit de modifier les informations contenues dans ce document sans préavis.**

**Note : Tecumseh reserves the right to change information contained in this document without notification.**