



Compressor  
Voltage Code : TZ

TFH4524F

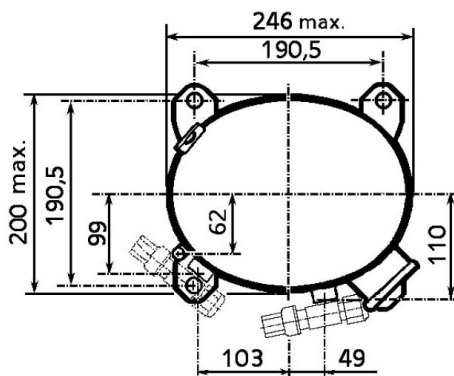
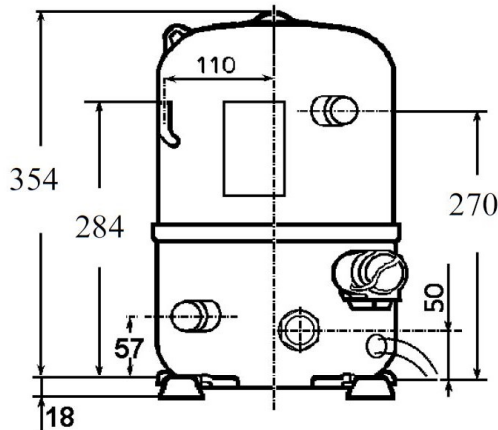
High Temp. Commercial (HP)

400V 3~ 50Hz / 440V 3~ 60 Hz

R22

AHC4524ETZ

Conditions	Frequency	Nominal Cooling Capacity		Sound Power ISO3745 / ISO 3743-1
		Watts	BTU/h	
EN12900_HP / R22	50 Hz / 60 Hz	5287 / 6232	18030 / 21251	68 dBA



Displacement (cc)	43,5
Net Weight (Kg)	30.0
Oil Quantity (cc)	1330.0
Oil Type	Mineral
Expansion Device	Capillary_Tube/Expansion_Valve
Cooling	Fan
Main Winding (Ohm)	6.5
<b>Current</b>	
RLA (A)	4.1   4.2
MCC (A)	5.9   5.9
LRA (A)	31   32
<b>Electrical Equipment</b>	TRI
<b>Overload</b>	Interne
<b>Refrigerating connection for OD</b>	
Suction Tube	15.9 (5/8")
Discharge Tube	12.7 (1/2")
Process Tube	6.35 (1/4")

\* EN12900\_HP : T°Cond. 50.0°C / T°Evap. 5.0°C / T°Return gas temp.. 20.0°C  
T°Subcooling. 0.0K

Certificates :



Note : Tecumseh reserves the right to change information contained in this document without notification.



**Tecumseh**

<b>TFH4524F</b>	<b>Tension TZ : 400V 3~ 50Hz / 440V 3~ 60 Hz</b>
-----------------	--

Les performances sont données dans les <b>conditions EN12900_HP</b> :	Gaz aspirés :	20.0 °C
Condition Dew	Sous refroidissement :	0.0 K
The performance data are in <b>EN12900_HP conditions</b> :	Return gas :	20.0 °C
Dew Condition	Subcooling :	0.0 K

<b>50 Hz R22</b>										
<b>N°236EU-T</b>										
4   T condensation	5   T évaporation	(°C)	-20	-15	-10	-5	0	5	10	15
<b>40</b>	1   P frigorifique	(Watt)	2012	2545	3240	4091	5095	6246	7539	8969
	2   P absorbée	(W)	1288	1437	1573	1697	1808	1907	1993	2067
	3   I absorbée	(A)	2.83	2.99	3.13	3.26	3.38	3.47	3.55	3.61
<b>50</b>	1   P frigorifique	(Watt)	1576	2044	2654	3401	4281	5287	6416	7660
	2   P absorbée	(W)	1211	1423	1617	1794	1953	2094	2218	2324
	3   I absorbée	(A)	2.67	2.92	3.16	3.37	3.57	3.74	3.90	4.03
<b>60</b>	1   P frigorifique	(Watt)		1512	2048	2702	3468	4340	5314	6383
	2   P absorbée	(W)		1408	1661	1892	2099	2284	2445	2584
	3   I absorbée	(A)		2.86	3.19	3.49	3.76	4.02	4.24	4.44

<b>60 Hz R22</b>										
<b>N°236EU-T</b>										
4   T condensation	5   T évaporation	(°C)	-20	-15	-10	-5	0	5	10	15
<b>40</b>	1   P frigorifique	(Watt)	2407	3057	3882	4878	6040	7361	8838	10463
	2   P absorbée	(W)	1237	1518	1775	2007	2216	2401	2561	2697
	3   I absorbée	(A)	2.16	2.48	2.76	3.01	3.24	3.43	3.59	3.73
<b>50</b>	1   P frigorifique	(Watt)	1881	2453	3180	4055	5075	6232	7522	8937
	2   P absorbée	(W)	1150	1502	1826	2123	2393	2635	2851	3039
	3   I absorbée	(A)	2.03	2.42	2.78	3.11	3.42	3.70	3.94	4.16
<b>60</b>	1   P frigorifique	(Watt)		1814	2453	3221	4110	5116	6231	7448
	2   P absorbée	(W)		1485	1877	2238	2570	2872	3143	3384
	3   I absorbée	(A)		2.37	2.81	3.22	3.61	3.96	4.29	4.60

1 = cooling capacity 2 = power input 3 = current 4 = condensing temperature 5 = evaporating temperature

**Nota : Tecumseh se réserve le droit de modifier les informations contenues dans ce document sans préavis.**  
**Note : Tecumseh reserves the right to change information contained in this document without notification.**

© 2021 Tecumseh Products Company  
All rights reserved