



Compressor
Voltage Code : FZ

CAJ4461Y-FZ

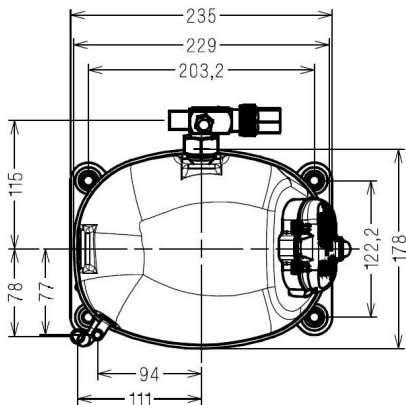
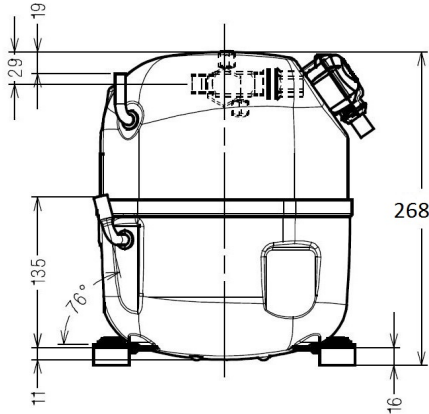
High Temp. Commercial (HP)

220 - 240V 1~ 50 Hz

R134a

AJ4461Y-FZ1C

| Conditions | Frequency | Nominal Cooling Capacity | | Sound Power ISO3745 / ISO 3743-1 |
|--------------------|-----------|--------------------------|-------|-------------------------------------|
| | | Watts | BTU/h | |
| EN12900_HP / R134a | 50 Hz | 1421 | 4847 | 54 dBA |



| | |
|--|--------------------------------|
| Displacement (cc) | 18,3 |
| Net Weight (Kg) | 18,4 |
| Oil Quantity (cc) | 475,0 |
| Oil Type | Polyolester |
| Expansion Device | Capillary_Tube/Expansion_Valve |
| Cooling | Fan |
| Main Winding (Ohm) | 3,9 |
| Start Winding (Ohm) | 20,6 |
| Current | |
| RLA (A) | 4 |
| MCC (A) | 5,8 |
| LRA (A) | 19,4 |
| Electrical Equipment | CSIR |
| Overload | MST24ALK |
| Time Check | 2.8s - 5.2s / 20.6 A |
| Open Temp | 105° C |
| Close Temp | 61° C |
| Optional | T0249 |
| Start Capacitor | 64 µF / 330 V |
| Potential Relay | RVA40** |
| Pick Up | 280/310V |
| Drop Out | 60/121V |
| Optional | / |
| Refrigerating connection for OD | |
| Suction Tube | 12.7 (1/2") |
| Discharge Tube | 6.35 (1/4") |
| Process Tube | 6.35 (1/4") |

* EN12900_HP : T°Cond. 50.0°C / T°Evap. 5.0°C / T°Return gas temp.. 20.0°C
T°Subcooling. 0.0K

Certificates :



Note : Tecumseh reserves the right to change information contained in this document without notification.



Tecumseh

| | |
|--------------------|---|
| CAJ4461Y-FZ | Tension FZ : 220 - 240V 1~ 50 Hz |
|--------------------|---|

| | |
|--|---|
| Les performances sont données dans les conditions EN12900_HP : Condition Dew | Gaz aspirés : 20.0 °C Sous refroidissement : 0.0 K |
| The performance data are in EN12900_HP conditions : Dew Condition | Return gas : 20.0 °C Subcooling : 0.0 K |

50 Hz R134a

N°214ES-FZ

| 4 T condensation | 5 T évaporation | (°C) | -25 | -20 | -15 | -10 | -5 | 0 | 5 | 10 | 15 |
|--------------------|--------------------|--------|------|------|------|------|------|------|------|------|------|
| 30 | 1 P frigorifique | (Watt) | 406 | 554 | 739 | 968 | 1246 | 1580 | 1975 | 2440 | 2979 |
| | 2 P absorbée | (W) | 304 | 346 | 385 | 422 | 455 | 485 | 511 | 534 | 554 |
| | 3 I absorbée | (A) | 2.83 | 2.93 | 3.03 | 3.12 | 3.21 | 3.31 | 3.40 | 3.49 | 3.58 |
| 40 | 1 P frigorifique | (Watt) | 335 | 468 | 629 | 827 | 1067 | 1356 | 1699 | 2103 | 2575 |
| | 2 P absorbée | (W) | 308 | 360 | 410 | 458 | 503 | 545 | 585 | 621 | 655 |
| | 3 I absorbée | (A) | 2.75 | 2.91 | 3.06 | 3.21 | 3.36 | 3.51 | 3.66 | 3.81 | 3.95 |
| 50 | 1 P frigorifique | (Watt) | | 380 | 519 | 686 | 888 | 1131 | 1421 | 1765 | 2169 |
| | 2 P absorbée | (W) | | 361 | 424 | 484 | 543 | 599 | 653 | 704 | 753 |
| | 3 I absorbée | (A) | | 2.87 | 3.08 | 3.29 | 3.49 | 3.70 | 3.90 | 4.11 | 4.31 |
| 60 | 1 P frigorifique | (Watt) | | | 411 | 548 | 712 | 910 | 1147 | 1431 | 1767 |
| | 2 P absorbée | (W) | | | 425 | 499 | 572 | 644 | 713 | 781 | 846 |
| | 3 I absorbée | (A) | | | 3.09 | 3.35 | 3.61 | 3.88 | 4.14 | 4.40 | 4.66 |

© 2021 Tecumseh Products Company
All rights reserved

1 = cooling capacity 2 = power input 3 = current 4 = condensing temperature 5 = evaporating temperature

Nota : Tecumseh se réserve le droit de modifier les informations contenues dans ce document sans préavis.
Note : Tecumseh reserves the right to change information contained in this document without notification.