



Compressor
Voltage Code : TZ

TAJ4511Y-TZ

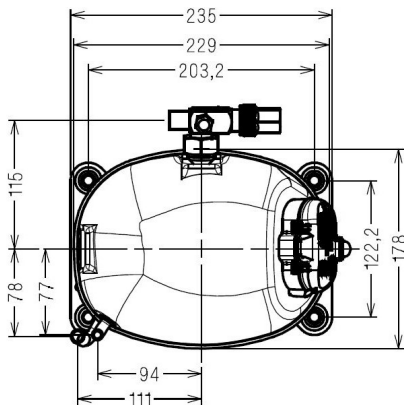
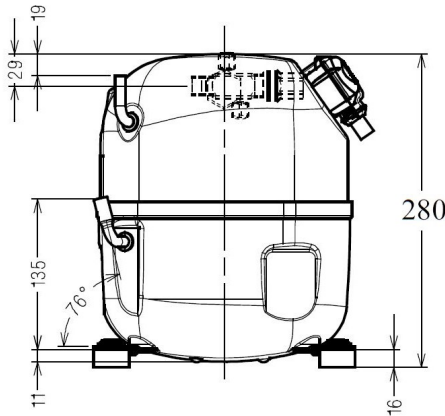
High Temp. Commercial (HP)

400V 3~ 50Hz / 440V 3~ 60 Hz

R134a

AJ4511Y-TZ1A

| Conditions | Frequency | Nominal Cooling Capacity | | Sound Power ISO3745 / ISO 3743-1 |
|---------------------|---------------|--------------------------|-------------|-------------------------------------|
| | | Watts | BTU/h | |
| EN12900_MHP / R134a | 50 Hz / 60 Hz | 1474 / 1708 | 5026 / 5825 | 59 dBA |



| | |
|--|--------------------------------|
| Displacement (cc) | 32,7 |
| Net Weight (Kg) | 19.0 |
| Oil Quantity (cc) | 475.0 |
| Oil Type | Polyolester |
| Expansion Device | Capillary_Tube/Expansion_Valve |
| Cooling | Fan |
| Main Winding (Ohm) | 14.8 |
| Current | |
| RLA (A) | 2.4 2.5 |
| MCC (A) | 3.6 3.9 |
| LRA (A) | 16.7 17.3 |
| Electrical Equipment | TRI |
| Overload | Interne |
| Refrigerating connection for OD | |
| Suction Tube | 15.9 (5/8") |
| Discharge Tube | 7.9 (5/16") |
| Process Tube | 6.35 (1/4") |

* EN12900_MHP : T°Cond. 45.0°C / T°Evap. -10.0°C / T°Return gas temp.. 20.0°C
T°Subcooling. 0.0K

Certificates :



Note : Tecumseh reserves the right to change information contained in this document without notification.



Tecumseh

| | |
|--------------------|--|
| TAJ4511Y-TZ | Tension TZ : 400V 3~ 50Hz / 440V 3~ 60 Hz |
|--------------------|--|

| | | |
|--|------------------------|---------|
| Les performances sont données dans les conditions EN12900_MHP : | Gaz aspirés : | 20.0 °C |
| Condition Dew | Sous refroidissement : | 0.0 K |
| The performance data are in EN12900_MHP conditions : | Return gas : | 20.0 °C |
| Dew Condition | Subcooling : | 0.0 K |

| 50 Hz R134a | | | | | | | | | | | |
|--------------------|--------------------|--------|------------|------------|------------|------------|-----------|----------|----------|-----------|-------------------|
| | | | | | | | | | | | N°214QU-TZ |
| 4 T condensation | 5 T évaporation | (°C) | -25 | -20 | -15 | -10 | -5 | 0 | 5 | 10 | 15 |
| 30 | 1 P frigorifique | (Watt) | 779 | 1090 | 1454 | 1882 | 2381 | 2963 | 3635 | 4408 | 5290 |
| | 2 P absorbée | (W) | 478 | 548 | 615 | 680 | 743 | 808 | 874 | 945 | 1020 |
| | 3 I absorbée | (A) | 1.33 | 1.40 | 1.47 | 1.55 | 1.62 | 1.70 | 1.78 | 1.86 | 1.94 |
| 40 | 1 P frigorifique | (Watt) | 600 | 892 | 1227 | 1614 | 2063 | 2584 | 3184 | 3875 | 4664 |
| | 2 P absorbée | (W) | 480 | 571 | 657 | 739 | 819 | 899 | 979 | 1062 | 1149 |
| | 3 I absorbée | (A) | 1.29 | 1.39 | 1.50 | 1.60 | 1.71 | 1.82 | 1.93 | 2.04 | 2.15 |
| 50 | 1 P frigorifique | (Watt) | | 693 | 992 | 1332 | 1724 | 2177 | 2699 | 3301 | 3991 |
| | 2 P absorbée | (W) | | 572 | 681 | 785 | 887 | 986 | 1085 | 1185 | 1288 |
| | 3 I absorbée | (A) | | 1.38 | 1.51 | 1.65 | 1.79 | 1.93 | 2.07 | 2.21 | 2.36 |
| 60 | 1 P frigorifique | (Watt) | | | 770 | 1057 | 1385 | 1763 | 2201 | 2707 | 3292 |
| | 2 P absorbée | (W) | | | 682 | 814 | 941 | 1064 | 1187 | 1309 | 1432 |
| | 3 I absorbée | (A) | | | 1.52 | 1.69 | 1.86 | 2.03 | 2.20 | 2.38 | 2.55 |

| 60 Hz R134a | | | | | | | | | | | |
|--------------------|--------------------|--------|------------|------------|------------|------------|-----------|----------|----------|-----------|-------------------|
| | | | | | | | | | | | N°214QU-TZ |
| 4 T condensation | 5 T évaporation | (°C) | -25 | -20 | -15 | -10 | -5 | 0 | 5 | 10 | 15 |
| 30 | 1 P frigorifique | (Watt) | 857 | 1240 | 1676 | 2175 | 2746 | 3397 | 4138 | 4979 | 5927 |
| | 2 P absorbée | (W) | 536 | 649 | 746 | 835 | 921 | 1011 | 1111 | 1228 | 1368 |
| | 3 I absorbée | (A) | 1.24 | 1.34 | 1.44 | 1.54 | 1.65 | 1.77 | 1.89 | 2.01 | 2.14 |
| 40 | 1 P frigorifique | (Watt) | 606 | 988 | 1406 | 1870 | 2389 | 2972 | 3628 | 4367 | 5196 |
| | 2 P absorbée | (W) | 490 | 648 | 783 | 902 | 1011 | 1116 | 1224 | 1341 | 1474 |
| | 3 I absorbée | (A) | 1.21 | 1.34 | 1.47 | 1.61 | 1.75 | 1.90 | 2.05 | 2.21 | 2.37 |
| 50 | 1 P frigorifique | (Watt) | | 697 | 1104 | 1539 | 2013 | 2533 | 3110 | 3753 | 4470 |
| | 2 P absorbée | (W) | | 593 | 778 | 940 | 1084 | 1217 | 1346 | 1477 | 1616 |
| | 3 I absorbée | (A) | | 1.31 | 1.48 | 1.65 | 1.82 | 2.00 | 2.19 | 2.38 | 2.57 |
| 60 | 1 P frigorifique | (Watt) | | | 766 | 1179 | 1613 | 2078 | 2582 | 3135 | 3745 |
| | 2 P absorbée | (W) | | | 719 | 936 | 1128 | 1302 | 1465 | 1621 | 1779 |
| | 3 I absorbée | (A) | | | 1.46 | 1.66 | 1.87 | 2.08 | 2.30 | 2.52 | 2.75 |

1 = cooling capacity 2 = power input 3 = current 4 = condensing temperature 5 = evaporating temperature

Nota : Tecumseh se réserve le droit de modifier les informations contenues dans ce document sans préavis.

Note : Tecumseh reserves the right to change information contained in this document without notification.

© 2021 Tecumseh Products Company
All rights reserved