



Compressor
Voltage Code : TZ

TAG4543Y

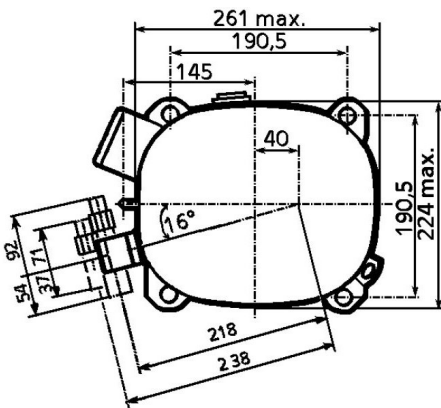
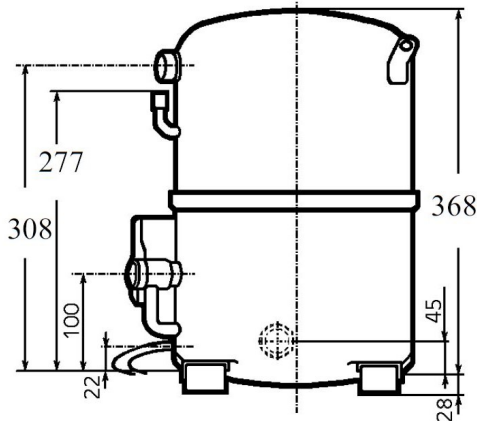
High Temp. Commercial (HP)

400V 3~ 50Hz / 440V 3~ 60 Hz

R134a

AGB4543YTZ

Conditions	Frequency	Nominal Cooling Capacity		Sound Power ISO3745 / ISO 3743-1
		Watts	BTU/h	
EN12900_HP / R134a	50 Hz / 60 Hz	8883 / 10454	30290 / 35648	74 dBA



Displacement (cc)	124,4
Net Weight (Kg)	44.0
Oil Quantity (cc)	1760.0
Oil Type	Polyolester
Expansion Device	Capillary_Tube/Expansion_Valve
Cooling	Fan
Main Winding (Ohm)	4.6
Current	
RLA (A)	5.5 6.4
MCC (A)	10.7 10.5
LRA (A)	42 43
Electrical Equipment	TRI
Overload	Interne
Refrigerating connection for OD	
Suction Tube	22.2 (7/8")
Discharge Tube	15.9 (5/8")
Process Tube	6.35 (1/4")

* EN12900_HP : T°Cond. 50.0°C / T°Evap. 5.0°C / T°Return gas temp.. 20.0°C
T°Subcooling. 0.0K

Certificates :



Note : Tecumseh reserves the right to change information contained in this document without notification.



Tecumseh

TAG4543Y	Tension TZ : 400V 3~ 50Hz / 440V 3~ 60 Hz
-----------------	--

Les performances sont données dans les conditions EN12900_HP :	Gaz aspirés :	20.0 °C
Condition Dew	Sous refroidissement :	0.0 K
The performance data are in EN12900_HP conditions :	Return gas :	20.0 °C
Dew Condition	Subcooling :	0.0 K

© 2021 Tecumseh Products Company
All rights reserved

50 Hz R134a

N°217JU-T

4 T condensation	5 T évaporation	(°C)	-25	-20	-15	-10	-5	0	5	10	15
30	1 P frigorifique	(Watt)	2569	3137	4150	5590	7439	9678	12290	15259	18566
	2 P absorbée	(W)	963	1346	1693	2005	2281	2522	2728	2899	3034
	3 I absorbée	(A)	2.71	3.15	3.56	3.95	4.32	4.66	4.99	5.29	5.56
40	1 P frigorifique	(Watt)	2127	2581	3443	4693	6313	8283	10585	13200	16109
	2 P absorbée	(W)	950	1336	1705	2055	2387	2700	2996	3273	3532
	3 I absorbée	(A)	2.72	3.14	3.57	4.00	4.43	4.86	5.29	5.72	6.16
50	1 P frigorifique	(Watt)		2021	2733	3795	5187	6890	8883	11147	13662
	2 P absorbée	(W)		1327	1717	2106	2493	2879	3264	3647	4030
	3 I absorbée	(A)		3.14	3.58	4.04	4.53	5.05	5.59	6.16	6.75
60	1 P frigorifique	(Watt)			2018	2894	4061	5498	7186	9102	11227
	2 P absorbée	(W)			1729	2156	2599	3057	3532	4022	4528
	3 I absorbée	(A)			3.59	4.09	4.64	5.24	5.89	6.59	7.35

60 Hz R134a

N°217JU-T

4 T condensation	5 T évaporation	(°C)	-25	-20	-15	-10	-5	0	5	10	15
30	1 P frigorifique	(Watt)	2999	3718	4942	6649	8819	11431	14465	17902	21723
	2 P absorbée	(W)	1212	1662	2084	2478	2844	3183	3494	3776	4031
	3 I absorbée	(A)	2.50	2.97	3.46	3.95	4.45	4.96	5.48	6.01	6.54
40	1 P frigorifique	(Watt)	2476	3057	4100	5583	7484	9783	12457	15486	18849
	2 P absorbée	(W)	1208	1655	2099	2539	2976	3408	3837	4263	4685
	3 I absorbée	(A)	2.54	2.98	3.47	3.99	4.56	5.17	5.81	6.50	7.23
50	1 P frigorifique	(Watt)		2390	3254	4514	6150	8137	10454	13078	15987
	2 P absorbée	(W)		1650	2115	2601	3107	3634	4182	4750	5339
	3 I absorbée	(A)		2.99	3.48	4.04	4.67	5.37	6.15	7.00	7.91
60	1 P frigorifique	(Watt)			2403	3443	4814	6493	8456	10680	13139
	2 P absorbée	(W)			2131	2662	3239	3860	4526	5237	5993
	3 I absorbée	(A)			3.49	4.08	4.78	5.58	6.48	7.49	8.60

1 = cooling capacity 2 = power input 3 = current 4 = condensing temperature 5 = evaporating temperature

Nota : Tecumseh se réserve le droit de modifier les informations contenues dans ce document sans préavis.

Note : Tecumseh reserves the right to change information contained in this document without notification.