



Compressor  
Voltage Code : FZ

CAJ4519Z-FZ

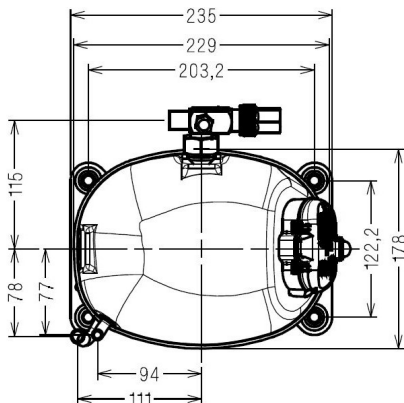
High Temp. Commercial (HP)

220 - 240V 1~ 50 Hz

R452A / R404A / R448A / R449A

AJ4519Z-FZ3C

Conditions	Frequency	Nominal Cooling Capacity		Sound Power ISO3745 / ISO 3743-1
		Watts	BTU/h	
EN12900_HP / R452A	50 Hz	4370	14903	68 dBA
EN12900_HP / R404A	50 Hz	4360	14867	68 dBA
EN12900_HP / R448A	50 Hz	4375	14917	68 dBA
EN12900_HP / R449A	50 Hz	4375	14917	68 dBA



<b>Displacement (cc)</b>	34,5
<b>Net Weight (Kg)</b>	22.3
<b>Oil Quantity (cc)</b>	475.0
<b>Oil Type</b>	Polyolester
<b>Expansion Device</b>	Capillary_Tube/Expansion_Valve
<b>Cooling</b>	Fan
<b>Main Winding (Ohm)</b>	1.3
<b>Start Winding (Ohm)</b>	6.1
<b>Current</b>	
RLA (A)	9.9
MCC (A)	15.2
LRA (A)	45
<b>Electrical Equipment</b>	CSR
<b>Overload</b>	GA3SHU00
Time Check	7.5s - 14s / 34 A
Open Temp	140° C
Close Temp	61° C
<b>Start Capacitor</b>	100 µF / 250 V
<b>Run Capacitor</b>	35 µF / 400 V
<b>Potential Relay</b>	RVA4G**
Pick Up	180/195V
Drop Out	40/105V
Optional	3ARR3*6AS*
<b>Refrigerating connection for OD</b>	
Suction Tube	15.9 (5/8")
Discharge Tube	9.5 (3/8")
Process Tube	6.35 (1/4")

\* EN12900\_HP : T°Cond. 50.0°C / T°Evap. 5.0°C / T°Return gas temp.. 20.0°C  
T°Subcooling. 0.0K

Certificates :



Note : Tecumseh reserves the right to change information contained in this document without notification.



**Tecumseh**

<b>CAJ4519Z-FZ</b>	<b>Tension FZ : 220 - 240V 1~ 50 Hz</b>
--------------------	---

Les performances sont données dans les <b>conditions EN12900_HP</b> :	Gaz aspirés :	20.0 °C
Condition Dew	Sous refroidissement :	0.0 K
The performance data are in <b>EN12900_HP conditions</b> :	Return gas :	20.0 °C
Dew Condition	Subcooling :	0.0 K

© 2021 Tecumseh Products Company  
All rights reserved

**50 Hz R452A**

**N°2288**

4   T condensation	5   T évaporation	(°C)	-25	-20	-15	-10	-5	0	5	10	15
<b>30</b>	1   P frigorifique	(Watt)	1636	2158	2765	3470	4287	5229	6311	7546	8948
	2   P absorbée	(W)	1053	1156	1256	1357	1458	1560	1666	1777	1893
	3   I absorbée	(A)	4.95	5.38	5.80	6.22	6.64	7.07	7.49	7.92	8.35
<b>40</b>	1   P frigorifique	(Watt)		1749	2295	2916	3627	4442	5373	6436	7643
	2   P absorbée	(W)		1218	1345	1468	1589	1710	1831	1955	2082
	3   I absorbée	(A)		5.50	6.07	6.64	7.22	7.79	8.37	8.95	9.54
<b>50</b>	1   P frigorifique	(Watt)			1798	2326	2922	3599	4370	5251	6253
	2   P absorbée	(W)			1403	1561	1715	1866	2015	2164	2313
	3   I absorbée	(A)			6.27	7.00	7.73	8.46	9.19	9.93	10.7
<b>60</b>	1   P frigorifique	(Watt)				1720	2191	2721	3323	4011	4799
	2   P absorbée	(W)				1615	1814	2007	2196	2382	2567
	3   I absorbée	(A)				7.27	8.16	9.05	9.94	10.8	11.7

**50 Hz R404A**

**N°224ST-FZ**

4   T condensation	5   T évaporation	(°C)	-25	-20	-15	-10	-5	0	5	10	15
<b>30</b>	1   P frigorifique	(Watt)	1745	2276	2889	3596	4412	5349	6419	7637	9015
	2   P absorbée	(W)	1116	1219	1321	1422	1522	1624	1728	1835	1947
	3   I absorbée	(A)	5.25	5.67	6.10	6.52	6.94	7.35	7.77	8.18	8.59
<b>40</b>	1   P frigorifique	(Watt)	1354	1843	2390	3008	3710	4510	5420	6453	7623
	2   P absorbée	(W)	1160	1291	1418	1540	1661	1779	1898	2017	2138
	3   I absorbée	(A)	5.25	5.83	6.40	6.97	7.54	8.11	8.68	9.24	9.80
<b>50</b>	1   P frigorifique	(Watt)		1394	1866	2386	2966	3619	4360	5200	6152
	2   P absorbée	(W)		1324	1486	1643	1795	1942	2087	2230	2372
	3   I absorbée	(A)		5.92	6.64	7.37	8.09	8.80	9.52	10.2	10.9
<b>60</b>	1   P frigorifique	(Watt)			1341	1753	2202	2701	3263	3901	4627
	2   P absorbée	(W)			1507	1709	1904	2092	2275	2454	2629
	3   I absorbée	(A)			6.82	7.69	8.56	9.43	10.3	11.2	12.0

1 = cooling capacity 2 = power input 3 = current 4 = condensing temperature 5 = evaporating temperature

**Nota : Tecumseh se réserve le droit de modifier les informations contenues dans ce document sans préavis.**

**Note : Tecumseh reserves the right to change information contained in this document without notification.**



**Tecumseh**

<b>CAJ4519Z-FZ</b>	<b>Tension FZ : 220 - 240V 1~ 50 Hz</b>
--------------------	---

Les performances sont données dans les <b>conditions EN12900_HP</b> :	Gaz aspirés :	20.0 °C
Condition Dew	Sous refroidissement :	0.0 K
The performance data are in <b>EN12900_HP conditions</b> :	Return gas :	20.0 °C
Dew Condition	Subcooling :	0.0 K

<b>50 Hz R448A (*)</b>											
											<b>N°2890</b>
4   T condensation	5   T évaporation	(°C)	-25	-20	-15	-10	-5	0	5	10	15
<b>30</b>	1   P frigorifique	(Watt)	1440	1949	2543	3238	4049	4991	6079	7328	8753
	2   P absorbée	(W)	982	1076	1171	1267	1365	1466	1568	1673	1781
	3   I absorbée	(A)	4.62	5.00	5.40	5.81	6.22	6.64	7.05	7.46	7.86
<b>40</b>	1   P frigorifique	(Watt)		1588	2127	2748	3465	4293	5248	6345	7598
	2   P absorbée	(W)		1144	1261	1378	1495	1611	1727	1844	1962
	3   I absorbée	(A)		5.16	5.70	6.24	6.79	7.34	7.90	8.45	8.99
<b>50</b>	1   P frigorifique	(Watt)			1694	2234	2850	3559	4375	5312	6387
	2   P absorbée	(W)			1325	1477	1626	1774	1919	2062	2204
	3   I absorbée	(A)			5.92	6.62	7.33	8.04	8.75	9.46	10.2
<b>60</b>	1   P frigorifique	(Watt)				1723	2233	2815	3485	4257	5147
	2   P absorbée	(W)				1536	1733	1926	2115	2299	2480
	3   I absorbée	(A)				6.91	7.79	8.68	9.57	10.5	11.3

<b>50 Hz R449A (*)</b>											
											<b>N°2284</b>
4   T condensation	5   T évaporation	(°C)	-25	-20	-15	-10	-5	0	5	10	15
<b>30</b>	1   P frigorifique	(Watt)	1440	1949	2543	3238	4049	4991	6079	7328	8753
	2   P absorbée	(W)	982	1076	1171	1267	1365	1466	1568	1673	1781
	3   I absorbée	(A)	4.62	5.00	5.40	5.81	6.22	6.64	7.05	7.46	7.86
<b>40</b>	1   P frigorifique	(Watt)		1588	2127	2748	3465	4293	5248	6345	7598
	2   P absorbée	(W)		1144	1261	1378	1495	1611	1727	1844	1962
	3   I absorbée	(A)		5.16	5.70	6.24	6.79	7.34	7.90	8.45	8.99
<b>50</b>	1   P frigorifique	(Watt)			1694	2234	2850	3559	4375	5312	6387
	2   P absorbée	(W)			1325	1477	1626	1774	1919	2062	2204
	3   I absorbée	(A)			5.92	6.62	7.33	8.04	8.75	9.46	10.2
<b>60</b>	1   P frigorifique	(Watt)				1723	2233	2815	3485	4257	5147
	2   P absorbée	(W)				1536	1733	1926	2115	2299	2480
	3   I absorbée	(A)				6.91	7.79	8.68	9.57	10.5	11.3

**1 = cooling capacity 2 = power input 3 = current 4 = condensing temperature 5 = evaporating temperature**

(\*) Veuillez vous référer strictement aux Recommandations d'Utilisation et Bulletins Marketing Tecumseh du fait de la température de reflux élevée pour les applications LBP.  
 (\*) Due to very high discharge temperature especially on LBP conditions, please strictly refer to Tecumseh Guidelines & Marketing Bulletin when using this refrigerant.

**Nota : Tecumseh se réserve le droit de modifier les informations contenues dans ce document sans préavis.**  
**Note : Tecumseh reserves the right to change information contained in this document without notification.**

© 2021 Tecumseh Products Company  
All rights reserved