



Compressor  
Voltage Code : FZ

CAJ4511Y-FZ

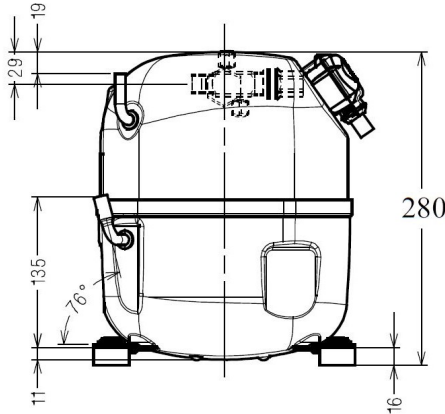
High Temp. Commercial (HP)

220 - 240V 1~ 50 Hz

R134a

AJ4511Y-FZ3B

Conditions	Frequency	Nominal Cooling Capacity		Sound Power ISO3745 / ISO 3743-1
		Watts	BTU/h	
EN12900_HP / R134a	50 Hz	2714	9253	61 dBA



<b>Displacement (cc)</b>	32,7
<b>Net Weight (Kg)</b>	21.5
<b>Oil Quantity (cc)</b>	475.0
<b>Oil Type</b>	Polyolester
<b>Expansion Device</b>	Capillary_Tube/Expansion_Valve
<b>Cooling</b>	Fan
<b>Main Winding (Ohm)</b>	2.9
<b>Start Winding (Ohm)</b>	8.8
<b>Current</b>	
RLA (A)	5.1
MCC (A)	8.6
LRA (A)	30
<b>Electrical Equipment</b>	CSR
<b>Overload</b>	MRA38088
Time Check	2.8s - 5.2s / 27.5 A
Open Temp	105° C
Close Temp	57° C
Optional	T0419
<b>Start Capacitor</b>	88 µF / 330 V
<b>Run Capacitor</b>	15 µF / 400 V
<b>Potential Relay</b>	RVA6M**
Pick Up	239/268V
Drop Out	60/135V
Optional	3ARR3*4AA*
<b>Refrigerating connection for OD</b>	
Suction Tube	15.9 (5/8")
Discharge Tube	7.9 (5/16")
Process Tube	6.35 (1/4")

\* EN12900\_HP : T°Cond. 50.0°C / T°Evap. 5.0°C / T°Return gas temp.. 20.0°C  
T°Subcooling. 0.0K

Certificates :



Note : Tecumseh reserves the right to change information contained in this document without notification.



**Tecumseh**

<b>CAJ4511Y-FZ</b>	<b>Tension FZ : 220 - 240V 1~ 50 Hz</b>
--------------------	---

Les performances sont données dans les **conditions EN12900\_HP** :  
 Condition Dew  
 The performance data are in **EN12900\_HP conditions** :  
 Dew Condition

Gaz aspirés : 20.0 °C  
 Sous refroidissement : 0.0 K  
 Return gas : 20.0 °C  
 Subcooling : 0.0 K

© 2021 Tecumseh Products Company  
 All rights reserved

**50 Hz R134a**

**N°214QT-FZ**

4   T condensation	5   T évaporation	(°C)	-25	-20	-15	-10	-5	0	5	10	15
<b>30</b>	1   P frigorifique	(Watt)	815	1116	1474	1899	2399	2985	3665	4448	5343
	2   P absorbée	(W)	491	565	632	696	759	826	901	987	1087
	3   I absorbée	(A)	2.33	2.64	2.94	3.24	3.53	3.83	4.13	4.42	4.71
<b>40</b>	1   P frigorifique	(Watt)	642	924	1252	1634	2079	2597	3196	3885	4674
	2   P absorbée	(W)	475	575	664	746	825	904	986	1076	1177
	3   I absorbée	(A)	2.25	2.64	3.03	3.42	3.81	4.20	4.58	4.97	5.35
<b>50</b>	1   P frigorifique	(Watt)		716	1014	1354	1744	2195	2714	3310	3994
	2   P absorbée	(W)		552	672	781	883	982	1081	1184	1294
	3   I absorbée	(A)		2.58	3.06	3.54	4.02	4.50	4.97	5.45	5.92
<b>60</b>	1   P frigorifique	(Watt)			764	1063	1400	1784	2223	2729	3308
	2   P absorbée	(W)			649	794	928	1055	1178	1302	1430
	3   I absorbée	(A)			3.03	3.60	4.17	4.74	5.30	5.87	6.43

1 = cooling capacity 2 = power input 3 = current 4 = condensing temperature 5 = evaporating temperature

**Nota : Tecumseh se réserve le droit de modifier les informations contenues dans ce document sans préavis.**  
**Note : Tecumseh reserves the right to change information contained in this document without notification.**