



Compressor  
Voltage Code : FZ

# AE1390Y-FZ1A

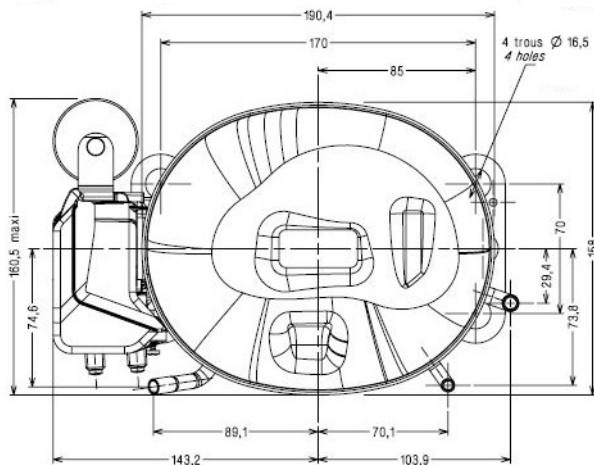
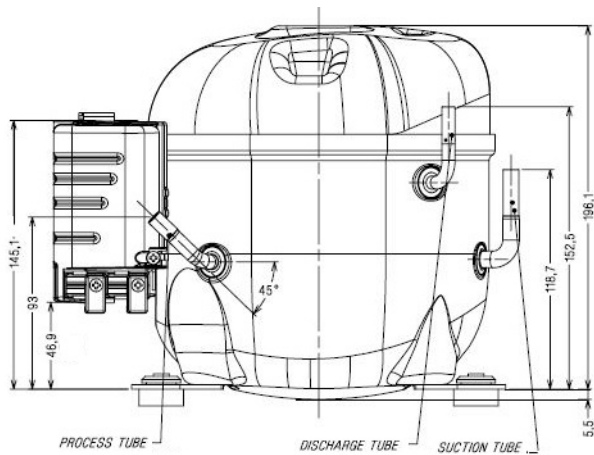
Domestic Refrigeration (BPM)

220 - 240V 1~ 50 Hz

R134a

AE1390Y-FZ1A

Conditions	Frequency	Nominal Cooling Capacity		Sound Power ISO3745 / ISO 3743-1
		Watts	BTU/h	
EN12900 / R134a	50 Hz	159	541	



\* EN12900 : T°Cond. 55.0°C / T°Evap. -25.0°C / T°Return gas temp.. 32.0°C  
T°Subcooling. 0.0K

Certificates :



<b>Displacement (cc)</b>	8,02
<b>Net Weight (Kg)</b>	9.7
<b>Oil Quantity (cc)</b>	280.0
<b>Oil Type</b>	Polyolester
<b>Expansion Device</b>	Capillary_Tube
<b>Cooling</b>	Fan
<b>Main Winding (Ohm)</b>	11.7
<b>Start Winding (Ohm)</b>	5.45

<b>Current</b>	
RLA (A)	1.4
LRA (A)	15

**Electrical Equipment** PTC SIR

<b>Overload</b>	4TM232TFBYY
Time Check	5s - 15s / 7.8 A
Open Temp	140° C
Close Temp	61° C
Optional	T24910

**PTC** SR273102  
Resistance 20 Ohms

<b>Refrigerating connection for OD</b>	
Suction Tube	6.35 (1/4")
Discharge Tube	4.76 (3/16")
Process Tube	6.35 (1/4")

Note : Tecumseh reserves the right to change information contained in this document without notification.



**Tecumseh**

<b>AE1390Y-FZ1A</b>	<b>Tension FZ : 220 - 240V 1~ 50 Hz</b>
---------------------	-----------------------------------------

Les performances sont données dans les <b>conditions EN12900</b> :	Gaz aspirés :	32.0 °C
Condition Dew	Sous refroidissement :	0.0 K
The performance data are in <b>EN12900 conditions</b> :	Return gas :	32.0 °C
Dew Condition	Subcooling :	0.0 K

**50 Hz R134a**

**N°2967**

4   T condensation	5   T évaporation	(°C)	<b>-35</b>	<b>-30</b>	<b>-25</b>	<b>-20</b>	<b>-15</b>	<b>-10</b>
<b>35</b>	1   P frigorifique	(Watt)	116	165	225	297	381	480
	2   P absorbée	(W)	135	152	169	187	206	227
	3   I absorbée	(A)	1.30	1.33	1.36	1.41	1.46	1.52
<b>40</b>	1   P frigorifique	(Watt)	107	153	209	276	356	449
	2   P absorbée	(W)	135	153	172	192	213	236
	3   I absorbée	(A)	1.30	1.33	1.37	1.42	1.48	1.55
<b>50</b>	1   P frigorifique	(Watt)	87.2	127	176	236	306	388
	2   P absorbée	(W)	133	154	176	199	225	252
	3   I absorbée	(A)	1.29	1.33	1.38	1.44	1.51	1.60
<b>60</b>	1   P frigorifique	(Watt)		95.7	139	192	254	327
	2   P absorbée	(W)		151	176	203	232	264
	3   I absorbée	(A)		1.33	1.38	1.45	1.53	1.63

© 2021 Tecumseh Products Company  
All rights reserved

1 = cooling capacity 2 = power input 3 = current 4 = condensing temperature 5 = evaporating temperature

**Nota : Tecumseh se réserve le droit de modifier les informations contenues dans ce document sans préavis.**

**Note : Tecumseh reserves the right to change information contained in this document without notification.**