



Compressor  
Voltage Code : FS

# THG1374YFS

Domestic Refrigeration (BPM)

220V 1~ 50 Hz

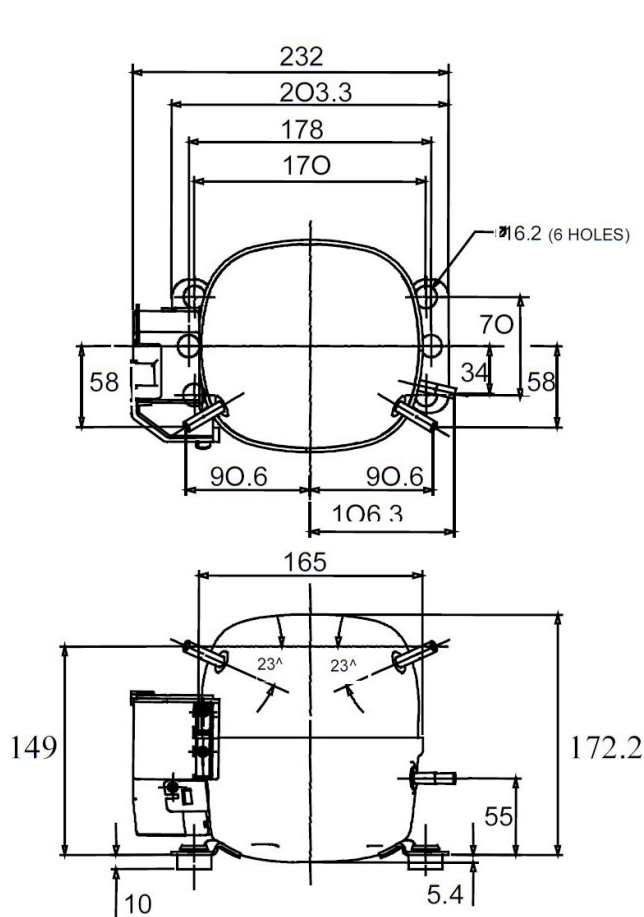
R134a

# THG1374YFS

Operating conditions : **Customized... / 50 Hz / Dew**

**Sound Power**  
ISO3745 / ISO 3743-1

-35.0 °C	<b>84.1 Watt</b>
10.0 K	
-25.0 °C	108 Watt
<b>40.0 °C</b>	1.10 A
0.00 K	<b>C.O.P : 0.78 Watt/W</b>
40.0 °C	



<b>Displacement (cc)</b>	6,96
<b>Net Weight (Kg)</b>	7.7
<b>Oil Quantity (cc)</b>	243.0
<b>Oil Type</b>	Polyolester
<b>Expansion Device</b>	Capillary_Tube
<b>Cooling</b>	Static
<b>Main Winding (Ohm)</b>	10.92
<b>Start Winding (Ohm)</b>	20.08
<b>Current</b>	
RLA (A)	1,2
LRA (A)	14
<b>Electrical Equipment</b>	PTCSIR
<b>Overload</b>	4TM232RFBYY
Time Check	5.0s - 15s / 7.4 A
Open Temp	130° C
Close Temp	61° C
Optional	T8124
<b>PTC</b>	8EA17C2
Resistance	20 Ohms
Optional	SR273102
<b>Refrigerating connection for</b>	
Suction Tube	6.35 (1/4")
Discharge Tube	6.35 (1/4")
Process Tube	4.76 (3/16")

Certificates :



Note : Tecumseh reserves the right to change information contained in this document without notification.



**Tecumseh**

<b>THG1374YFS</b>	<b>Tension FS : 220V 1~ 50 Hz</b>
-------------------	-----------------------------------

Les performances sont données dans les <b>conditions EN12900</b> :	Gaz aspirés :	32.0 °C
Condition Dew	Sous refroidissement :	0.0 K
The performance data are in <b>EN12900 conditions</b> :	Return gas :	32.0 °C
Dew Condition	Subcooling :	0.0 K

**50 Hz R134a**

**N°TH271FS**

4   T condensation	5   T évaporation	(°C)	<b>-35</b>	<b>-30</b>	<b>-25</b>	<b>-20</b>	<b>-15</b>	<b>-10</b>
<b>35</b>	1   P frigorifique	(Watt)	125	167	217	264	297	306
	2   P absorbée	(W)	111	126	142	155	163	164
	3   I absorbée	(A)	1.10	1.13	1.16	1.19	1.20	1.20
<b>40</b>	1   P frigorifique	(Watt)	104	144	195	247	291	314
	2   P absorbée	(W)	108	125	142	159	172	179
	3   I absorbée	(A)	1.10	1.12	1.16	1.19	1.22	1.24
<b>50</b>	1   P frigorifique	(Watt)	84.0	114	162	218	273	317
	2   P absorbée	(W)	108	125	146	168	190	209
	3   I absorbée	(A)	1.10	1.12	1.16	1.22	1.27	1.33
<b>60</b>	1   P frigorifique	(Watt)		82.9	120	172	229	283
	2   P absorbée	(W)		122	144	171	200	228
	3   I absorbée	(A)		1.11	1.16	1.22	1.30	1.39

© 2022 Tecumseh Products Company  
All rights reserved

1 = cooling capacity 2 = power input 3 = current 4 = condensing temperature 5 = evaporating temperature

**Nota : Tecumseh se réserve le droit de modifier les informations contenues dans ce document sans préavis.**  
**Note : Tecumseh reserves the right to change information contained in this document without notification.**