



Compressor  
Voltage Code : TZ

**TAG4581T**

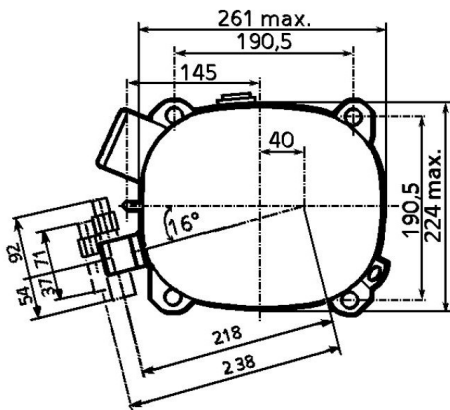
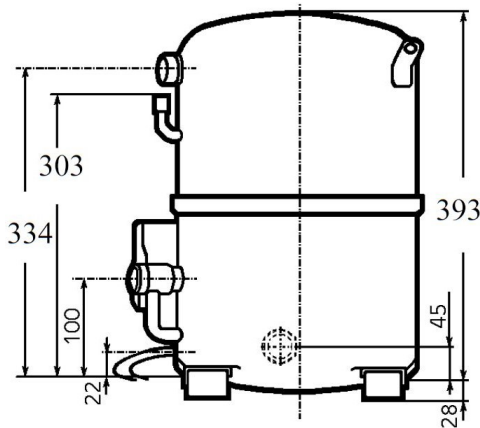
High Temp. Commercial (HP)

400V 3~ 50Hz / 440V 3~ 60 Hz

R22

AGB4581TTZ

Conditions	Frequency	Nominal Cooling Capacity		Sound Power ISO3745 / ISO 3743-1
		Watts	BTU/h	
EN12900_HP / R22	50 Hz / 60 Hz	17152 / 20290	58487 / 69189	82 dBA



<b>Displacement (cc)</b>	145
<b>Net Weight (Kg)</b>	48.1
<b>Oil Quantity (cc)</b>	1760.0
<b>Oil Type</b>	Mineral
<b>Expansion Device</b>	Capillary_Tube/Expansion_Valve
<b>Cooling</b>	Fan
<b>Main Winding (Ohm)</b>	1.63
<b>Current</b>	
RLA (A)	12.2   13.7
MCC (A)	20   19.5
LRA (A)	83   85
<b>Electrical Equipment</b>	TRI
<b>Overload</b>	Interne
<b>Refrigerating connection for OD</b>	
Suction Tube	28.6 (1"1/8)
Discharge Tube	15.9 (5/8")
Process Tube	6.35 (1/4")

\* EN12900\_HP : T°Cond. 50.0°C / T°Evap. 5.0°C / T°Return gas temp.. 20.0°C  
T°Subcooling. 0.0K

Certificates :



Note : Tecumseh reserves the right to change information contained in this document without notification.



**Tecumseh**

<b>TAG4581T</b>	<b>Tension TZ : 400V 3~ 50Hz / 440V 3~ 60 Hz</b>
-----------------	--

Les performances sont données dans les <b>conditions EN12900_HP</b> :	Gaz aspirés :	20.0 °C
Condition Dew	Sous refroidissement :	0.0 K
The performance data are in <b>EN12900_HP conditions</b> :	Return gas :	20.0 °C
Dew Condition	Subcooling :	0.0 K

© 2021 Tecumseh Products Company  
All rights reserved

### 50 Hz R22

**N°237MU-T**

4   T condensation	5   T évaporation	(°C)	-20	-15	-10	-5	0	5	10	15
<b>40</b>	1   P frigorifique	(Watt)	6287	8231	10501	13145	16216	19763	23836	28486
	2   P absorbée	(W)	3695	4215	4696	5151	5597	6049	6521	7030
	3   I absorbée	(A)	8.14	8.74	9.34	9.94	10.5	11.1	11.7	12.3
<b>50</b>	1   P frigorifique	(Watt)	5097	6855	8890	11250	13988	17152	20793	24961
	2   P absorbée	(W)	3683	4366	4989	5565	6111	6641	7170	7714
	3   I absorbée	(A)	8.15	8.91	9.66	10.4	11.2	11.9	12.7	13.4
<b>60</b>	1   P frigorifique	(Watt)		5502	7297	9369	11768	14545	17749	21432
	2   P absorbée	(W)		4324	5135	5878	6570	7224	7857	8483
	3   I absorbée	(A)		8.97	9.89	10.8	11.7	12.6	13.6	14.5

### 60 Hz R22

**N°237MU-T**

4   T condensation	5   T évaporation	(°C)	-20	-15	-10	-5	0	5	10	15
<b>40</b>	1   P frigorifique	(Watt)	7278	9610	12321	15471	19118	23320	28135	33623
	2   P absorbée	(W)	4310	4966	5609	6255	6917	7611	8353	9156
	3   I absorbée	(A)	7.11	7.91	8.71	9.51	10.3	11.1	11.9	12.6
<b>50</b>	1   P frigorifique	(Watt)	5940	8070	10511	13322	16563	20290	24563	29440
	2   P absorbée	(W)	4373	5161	5921	6668	7418	8186	8986	9833
	3   I absorbée	(A)	7.08	8.07	9.05	10.0	11.0	12.0	12.9	13.9
<b>60</b>	1   P frigorifique	(Watt)		6507	8681	11156	13993	17248	20981	25250
	2   P absorbée	(W)		5233	6135	7009	7872	8737	9620	10537
	3   I absorbée	(A)		8.09	9.26	10.4	11.6	12.7	13.9	15.0

1 = cooling capacity 2 = power input 3 = current 4 = condensing temperature 5 = evaporating temperature

**Nota : Tecumseh se réserve le droit de modifier les informations contenues dans ce document sans préavis.**

**Note : Tecumseh reserves the right to change information contained in this document without notification.**