



Compressor  
Voltage Code : FZ

THB4419YFZ

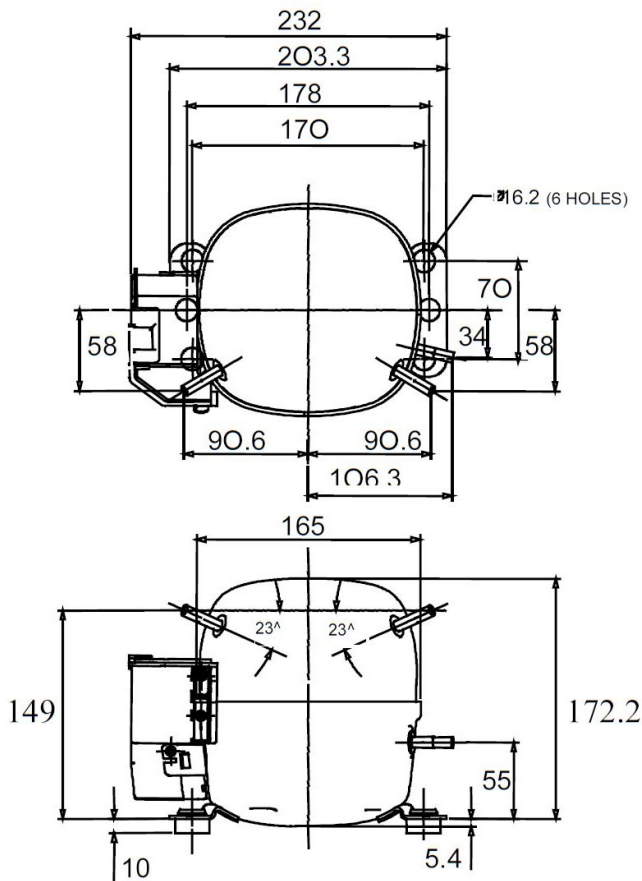
High Temp. Commercial (HP)

220 - 240V 1~ 50 Hz

R134a / R513A

THB4419YFZ

Conditions	Frequency	Nominal Cooling Capacity		Sound Power ISO3745 / ISO 3743-1
		Watts	BTU/h	
EN12900_HP / R134a	50 Hz	388	1322	45 dBA
EN12900_HP / R513A	50 Hz	394	1345	45 dBA



\* EN12900\_HP : T°Cond. 50.0°C / T°Evap. 5.0°C / T°Return gas temp.. 20.0°C  
T°Subcooling. 0.0K

Certificates :



<b>Displacement (cc)</b>	5.2
<b>Net Weight (Kg)</b>	7.4
<b>Oil Quantity (cc)</b>	250.0
<b>Oil Type</b>	Polyolester
<b>Expansion Device</b>	Capillary_Tube/Expansion_Valve
<b>Cooling</b>	Static
<b>Main Winding (Ohm)</b>	13.5
<b>Start Winding (Ohm)</b>	22.6
<b>Current</b>	
RLA (A)	1.4
MCC (A)	1.63
LRA (A)	8.5
<b>Electrical Equipment</b>	CSIR
<b>Overload</b>	T8826
Time Check	6.5s - 16s / 7 A
Open Temp	110° C
Close Temp	52° C
<b>Start Capacitor</b>	72-88 µF / 250 V
<b>Current Relay</b>	9660C-***-119
Pick Up	3.95A
Drop Out	3.35A
Optional	RP34**
<b>Refrigerating connection for OD</b>	
Suction Tube	6.35 (1/4")
Discharge Tube	6.35 (1/4")
Process Tube	4.76 (3/16")

Note : Tecumseh reserves the right to change information contained in this document without notification.



**Tecumseh**

<b>THB4419YFZ</b>	<b>Tension FZ : 220 - 240V 1~ 50 Hz</b>
-------------------	---

Les performances sont données dans les <b>conditions EN12900_HP</b> :	Gaz aspirés :	20.0 °C
Condition Dew	Sous refroidissement :	0.0 K
The performance data are in <b>EN12900_HP conditions</b> :	Return gas :	20.0 °C
Dew Condition	Subcooling :	0.0 K

**50 Hz R134a**

**N°211JE-FZ**

4   T condensation	5   T évaporation	(°C)	-25	-20	-15	-10	-5	0	5	10	15
<b>30</b>	1   P frigorifique	(Watt)	120	160	208	267	336	417	511	619	743
	2   P absorbée	(W)	105	115	124	134	145	156	168	182	197
	3   I absorbée	(A)	1.23	1.23	1.23	1.24	1.25	1.28	1.31	1.34	1.39
<b>40</b>	1   P frigorifique	(Watt)	99.9	136	180	232	293	365	449	545	656
	2   P absorbée	(W)	108	120	132	144	156	169	183	198	214
	3   I absorbée	(A)	1.22	1.22	1.23	1.25	1.28	1.31	1.35	1.40	1.45
<b>50</b>	1   P frigorifique	(Watt)		113	152	198	251	314	388	472	570
	2   P absorbée	(W)		122	137	152	167	183	199	216	235
	3   I absorbée	(A)		1.22	1.24	1.27	1.31	1.35	1.40	1.46	1.52
<b>60</b>	1   P frigorifique	(Watt)			124	164	210	265	328	400	485
	2   P absorbée	(W)			141	160	179	198	218	238	259
	3   I absorbée	(A)			1.26	1.30	1.34	1.39	1.45	1.52	1.59

**50 Hz R513A**

**N°3191**

4   T condensation	5   T évaporation	(°C)	-25	-20	-15	-10	-5	0	5	10	15
<b>30</b>	1   P frigorifique	(Watt)	138	181	231	290	358	436	525	625	738
	2   P absorbée	(W)	117	126	135	144	154	166	181	199	222
	3   I absorbée	(A)	1.37	1.34	1.33	1.32	1.33	1.36	1.41	1.47	1.56
<b>40</b>	1   P frigorifique	(Watt)	112	151	196	249	310	381	461	553	656
	2   P absorbée	(W)	118	130	142	153	165	178	193	211	232
	3   I absorbée	(A)	1.34	1.33	1.33	1.33	1.35	1.38	1.43	1.49	1.58
<b>50</b>	1   P frigorifique	(Watt)		123	162	208	261	323	394	475	567
	2   P absorbée	(W)		130	146	161	176	192	209	228	249
	3   I absorbée	(A)		1.31	1.33	1.35	1.38	1.42	1.47	1.53	1.61
<b>60</b>	1   P frigorifique	(Watt)			131	169	213	266	326	396	475
	2   P absorbée	(W)			147	168	187	207	227	249	272
	3   I absorbée	(A)			1.32	1.36	1.41	1.46	1.52	1.59	1.67

1 = cooling capacity 2 = power input 3 = current 4 = condensing temperature 5 = evaporating temperature

**Nota : Tecumseh se réserve le droit de modifier les informations contenues dans ce document sans préavis.**

**Note : Tecumseh reserves the right to change information contained in this document without notification.**

© 2021 Tecumseh Products Company  
All rights reserved