

Compressor
Voltage Code : GZ

CAJ9480Z-GZ

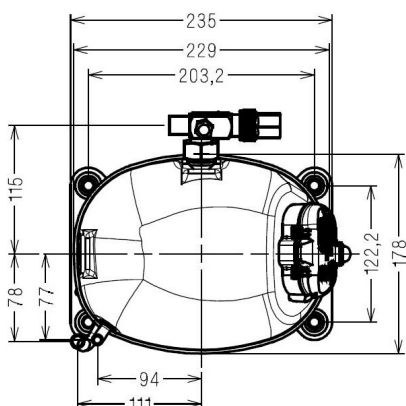
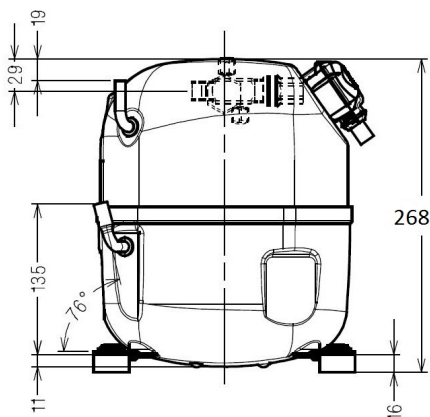
High Temp. Commercial (MHP)

208 - 220V 1~ 50 Hz

R452A / R404A

AJK480Z-GZ3C

Conditions	Frequency	Nominal Cooling Capacity		Sound Power ISO3745 / ISO 3743-1
		Watts	BTU/h	
EN12900_HP / R452A	50 Hz	1983	6761	61 dBA
EN12900_HP / R404A	50 Hz	1980	6750	61 dBA



* EN12900_HP : T°Cond. 50.0°C / T°Evap. 5.0°C / T°Return gas temp.. 20.0°C
T°Subcooling. 0.0K

Certificates :



Displacement (cc)	15,2
Net Weight (Kg)	20,5
Oil Quantity (cc)	475,0
Oil Type	Polyolester
Expansion Device	Capillary_Tube/Expansion_Valve
Cooling	Fan
Main Winding (Ohm)	2,7
Start Winding (Ohm)	10,8
Current	
RLA (A)	4,6
MCC (A)	6,5
LRA (A)	22
Electrical Equipment	CSR
Overload	MST24ALK
Time Check	2.8s - 5.2s / 20.6 A
Open Temp	105° C
Close Temp	61° C
Optional	T0249
Start Capacitor	64 µF / 250 V
Run Capacitor	15 µF / 400 V
Potential Relay	RVA4AL**
Pick Up	223/252V
Drop Out	60/121V
Refrigerating connection for OD	
Suction Tube	12.7 (1/2")
Discharge Tube	7.9 (5/16")
Process Tube	6.35 (1/4")

Note : Tecumseh reserves the right to change information contained in this document without notification.



Tecumseh

CAJ9480Z-GZ Tension GZ : 208 - 220V 1~ 50 Hz

Les performances sont données dans les **conditions EN12900_HP** :
 Condition Dew
 The performance data are in **EN12900_HP conditions** :
 Dew Condition

Gaz aspirés : 20.0 °C
 Sous refroidissement : 0.0 K
 Return gas : 20.0 °C
 Subcooling : 0.0 K

© 2021 Tecumseh Products Company
 All rights reserved

50 Hz R452A

N°2712

4 T condensation	5 T évaporation	(°C)	-25	-20	-15	-10	-5	0	5	10	15
30	1 P frigorigère	(Watt)	800	1034	1312	1634	2002	2420	2888	3409	3984
	2 P absorbée	(W)	492	551	603	646	682	710	731	744	748
	3 I absorbée	(A)	2.44	2.62	2.81	3.00	3.18	3.37	3.55	3.74	3.93
40	1 P frigorigère	(Watt)	622	830	1072	1352	1671	2031	2434	2882	3377
	2 P absorbée	(W)	460	530	596	657	712	762	807	847	881
	3 I absorbée	(A)	2.31	2.60	2.87	3.14	3.40	3.65	3.90	4.14	4.38
50	1 P frigorigère	(Watt)		636	842	1078	1345	1646	1983	2357	2770
	2 P absorbée	(W)		512	592	670	745	817	886	953	1017
	3 I absorbée	(A)		2.57	2.93	3.28	3.61	3.94	4.25	4.54	4.83
60	1 P frigorigère	(Watt)			616	807	1021	1262	1530	1829	2159
	2 P absorbée	(W)			594	689	784	878	972	1066	1160
	3 I absorbée	(A)			2.98	3.41	3.82	4.22	4.59	4.94	5.27

50 Hz R404A

N°224CT-GZ

4 T condensation	5 T évaporation	(°C)	-25	-20	-15	-10	-5	0	5	10	15
30	1 P frigorigère	(Watt)	852	1093	1372	1693	2060	2474	2937	3450	4014
	2 P absorbée	(W)	521	582	633	677	712	739	758	768	770
	3 I absorbée	(A)	2.58	2.77	2.96	3.14	3.32	3.51	3.69	3.86	4.04
40	1 P frigorigère	(Watt)	667	876	1117	1393	1706	2060	2455	2891	3368
	2 P absorbée	(W)	490	562	629	689	744	793	836	873	904
	3 I absorbée	(A)	2.47	2.75	3.03	3.29	3.55	3.80	4.04	4.27	4.49
50	1 P frigorigère	(Watt)		673	874	1104	1363	1655	1980	2337	2726
	2 P absorbée	(W)		547	628	705	780	850	918	982	1042
	3 I absorbée	(A)		2.74	3.10	3.45	3.78	4.10	4.40	4.68	4.95
60	1 P frigorigère	(Watt)			643	823	1026	1253	1505	1780	2076
	2 P absorbée	(W)			635	729	823	916	1007	1098	1188
	3 I absorbée	(A)			3.18	3.61	4.01	4.40	4.75	5.09	5.40

1 = cooling capacity 2 = power input 3 = current 4 = condensing temperature 5 = evaporating temperature

Nota : Tecumseh se réserve le droit de modifier les informations contenues dans ce document sans préavis.

Note : Tecumseh reserves the right to change information contained in this document without notification.