



Compressor  
Voltage Code : XC

**FH2480Z-XC**

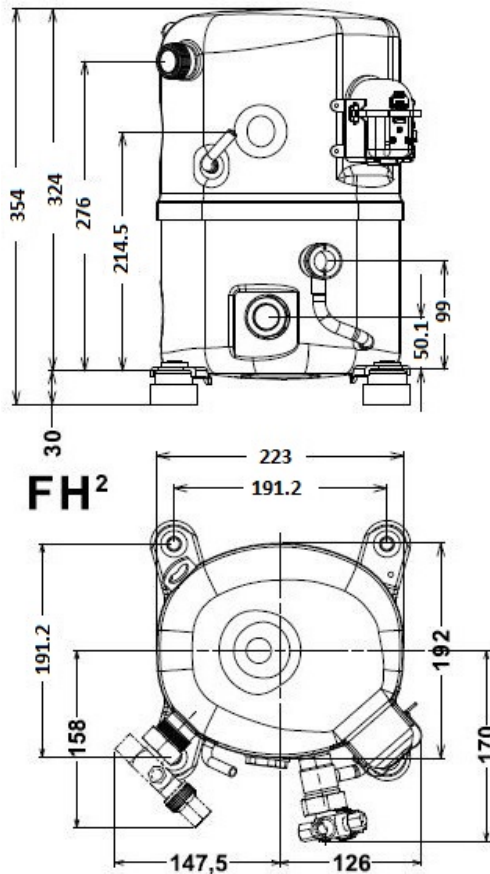
Low Temp. Commercial (BP)

220 - 240V 1~ 50 Hz

R452A / R404A / R448A / R449A

**FH2480Z-XC3A**

Conditions	Frequency	Nominal Cooling Capacity		Sound Power ISO3745 / ISO 3743-1
		Watts	BTU/h	
EN12900 / R452A	50 Hz	1146	3908	72 dBA
EN12900 / R404A	50 Hz	1281	4367	72 dBA
EN12900 / R448A	50 Hz	1003	3421	72 dBA
EN12900 / R449A	50 Hz	1003	3421	72 dBA



<b>Displacement (cc)</b>	54,3
<b>Net Weight (Kg)</b>	29.0
<b>Oil Quantity (cc)</b>	1140.0
<b>Oil Type</b>	Polyolester
<b>Expansion Device</b>	Capillary_Tube/Expansion_Valve
<b>Cooling</b>	Fan
<b>Main Winding (Ohm)</b>	0.73
<b>Start Winding (Ohm)</b>	2.07
<b>Current</b>	
RLA (A)	9
MCC (A)	12
LRA (A)	65
<b>Electrical Equipment</b>	CSR
<b>Overload</b>	Interne
<b>Start Capacitor</b>	156 µF / 330 V
<b>Run Capacitor</b>	45 µF / 400 V
<b>Potential Relay</b>	RVA4AL**
Pick Up	223/252V
Drop Out	60/121V
<b>Refrigerating connection for OD</b>	
Suction Tube	15.9 (5/8")
Discharge Tube	12.7 (1/2")
Process Tube	6.35 (1/4")

\* EN12900 : T°Cond. 40.0°C / T°Evap. -35.0°C / T°Return gas temp.. 20.0°C  
T°Subcooling. 0.0K

Certificates :



Note : Tecumseh reserves the right to change information contained in this document without notification.



**Tecumseh**

<b>FH2480Z-XC</b>	<b>Tension XC : 220 - 240V 1~ 50 Hz</b>
-------------------	---

Les performances sont données dans les <b>conditions EN12900</b> :	Gaz aspirés :	20.0 °C
Condition Dew	Sous refroidissement :	0.0 K
The performance data are in <b>EN12900 conditions</b> :	Return gas :	20.0 °C
Dew Condition	Subcooling :	0.0 K

<b>50 Hz R452A</b>									
<b>N°User-194</b>									
4   T condensation	5   T évaporation	(°C)	<b>-40</b>	<b>-35</b>	<b>-30</b>	<b>-25</b>	<b>-20</b>	<b>-15</b>	<b>-10</b>
<b>30</b>	1   P frigorifique	(Watt)	1043	1550	2180	2946	3865	4950	6217
	2   P absorbée	(W)	908	1120	1331	1537	1734	1917	2082
	3   I absorbée	(A)	6.38	6.73	7.12	7.54	8.00	8.50	9.03
<b>40</b>	1   P frigorifique	(Watt)	695	1146	1702	2379	3190	4151	5277
	2   P absorbée	(W)	831	1081	1335	1591	1845	2091	2325
	3   I absorbée	(A)	6.11	6.63	7.17	7.74	8.35	8.99	9.67
<b>50</b>	1   P frigorifique	(Watt)		745	1219	1797	2493	3322	4299
	2   P absorbée	(W)		981	1280	1587	1898	2208	2512
	3   I absorbée	(A)		6.29	6.99	7.73	8.49	9.29	10.1
<b>60</b>	1   P frigorifique	(Watt)				1218	1791	2479	3298
	2   P absorbée	(W)				1517	1886	2261	2636
	3   I absorbée	(A)				7.48	8.41	9.37	10.4

<b>50 Hz R404A</b>									
<b>N°User-193</b>									
4   T condensation	5   T évaporation	(°C)	<b>-40</b>	<b>-35</b>	<b>-30</b>	<b>-25</b>	<b>-20</b>	<b>-15</b>	<b>-10</b>
<b>30</b>	1   P frigorifique	(Watt)	1176	1700	2346	3127	4057	5150	6419
	2   P absorbée	(W)	993	1214	1432	1643	1843	2026	2190
	3   I absorbée	(A)	6.98	7.30	7.66	8.06	8.50	8.98	9.50
<b>40</b>	1   P frigorifique	(Watt)	817	1281	1847	2531	3345	4303	5419
	2   P absorbée	(W)	931	1190	1453	1715	1972	2220	2453
	3   I absorbée	(A)	6.84	7.30	7.80	8.34	8.92	9.54	10.2
<b>50</b>	1   P frigorifique	(Watt)		868	1348	1926	2615	3431	4386
	2   P absorbée	(W)		1110	1418	1732	2047	2359	2663
	3   I absorbée	(A)		7.11	7.75	8.44	9.16	9.92	10.7
<b>60</b>	1   P frigorifique	(Watt)			865	1329	1887	2551	3337
	2   P absorbée	(W)			1325	1690	2063	2440	2816
	3   I absorbée	(A)			7.51	8.33	9.20	10.1	11.1

1 = cooling capacity 2 = power input 3 = current 4 = condensing temperature 5 = evaporating temperature

**Nota : Tecumseh se réserve le droit de modifier les informations contenues dans ce document sans préavis.**

**Note : Tecumseh reserves the right to change information contained in this document without notification.**

© 2021 Tecumseh Products Company  
All rights reserved



**Tecumseh**

<b>FH2480Z-XC</b>	<b>Tension XC : 220 - 240V 1~ 50 Hz</b>
-------------------	---

Les performances sont données dans les **conditions EN12900** :  
 Condition Dew  
 The performance data are in **EN12900 conditions** :  
 Dew Condition

Gaz aspirés : 20.0 °C  
 Sous refroidissement : 0.0 K  
 Return gas : 20.0 °C  
 Subcooling : 0.0 K

© 2021 Tecumseh Products Company  
All rights reserved

**50 Hz R448A (\*)**

**N°User-196**

4   T condensation	5   T évaporation	(°C)	-35	-30	-25	-20	-15	-10
<b>30</b>	1   P frigorifique	(Watt)	1359	1947	2672	3549	4597	5831
	2   P absorbée	(W)	1037	1240	1440	1631	1809	1970
	3   I absorbée	(A)	6.23	6.63	7.06	7.53	8.02	8.55
<b>40</b>	1   P frigorifique	(Watt)	1003	1530	2180	2968	3911	5027
	2   P absorbée	(W)	994	1239	1488	1734	1975	2205
	3   I absorbée	(A)	6.10	6.65	7.24	7.85	8.49	9.17
<b>50</b>	1   P frigorifique	(Watt)	646	1106	1674	2367	3201	4194
	2   P absorbée	(W)	894	1182	1479	1782	2086	2386
	3   I absorbée	(A)	5.73	6.46	7.20	7.98	8.78	9.61
<b>60</b>	1   P frigorifique	(Watt)			1175	1766	2486	3349
	2   P absorbée	(W)			1409	1769	2136	2506
	3   I absorbée	(A)			6.94	7.89	8.85	9.85

**50 Hz R449A (\*)**

**N°User-195**

4   T condensation	5   T évaporation	(°C)	-35	-30	-25	-20	-15	-10
<b>30</b>	1   P frigorifique	(Watt)	1359	1947	2672	3549	4597	5831
	2   P absorbée	(W)	1037	1240	1440	1631	1809	1970
	3   I absorbée	(A)	6.23	6.63	7.06	7.53	8.02	8.55
<b>40</b>	1   P frigorifique	(Watt)	1003	1530	2180	2968	3911	5027
	2   P absorbée	(W)	994	1239	1488	1734	1975	2205
	3   I absorbée	(A)	6.10	6.65	7.24	7.85	8.49	9.17
<b>50</b>	1   P frigorifique	(Watt)	646	1106	1674	2367	3201	4194
	2   P absorbée	(W)	894	1182	1479	1782	2086	2386
	3   I absorbée	(A)	5.73	6.46	7.20	7.98	8.78	9.61
<b>60</b>	1   P frigorifique	(Watt)			1175	1766	2486	3349
	2   P absorbée	(W)			1409	1769	2136	2506
	3   I absorbée	(A)			6.94	7.89	8.85	9.85

1 = cooling capacity 2 = power input 3 = current 4 = condensing temperature 5 = evaporating temperature

(\*) Veuillez vous référer strictement aux Recommandations d'Utilisation et Bulletins Marketing Tecumseh du fait de la température de reflux élevée pour les applications LBP.

(\*) Due to very high discharge temperature especially on LBP conditions, please strictly refer to Tecumseh Guidelines & Marketing Bulletin when using this refrigerant.

**Nota : Tecumseh se réserve le droit de modifier les informations contenues dans ce document sans préavis.**

**Note : Tecumseh reserves the right to change information contained in this document without notification.**