



Compressor
Voltage Code : XC

FH2511Z-XC

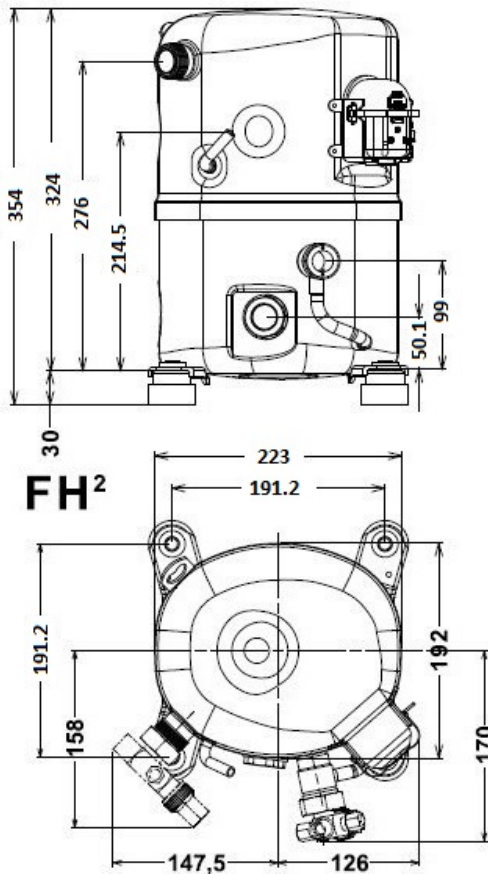
Low Temp. Commercial (BP)

220 - 240V 1~ 50 Hz

R452A / R404A / R448A / R449A

FH2511Z-XC3A

Conditions	Frequency	Nominal Cooling Capacity		Sound Power ISO3745 / ISO 3743-1
		Watts	BTU/h	
EN12900 / R452A	50 Hz	1639	5589	75 dBA
EN12900 / R404A	50 Hz	1832	6246	75 dBA
EN12900 / R448A	50 Hz	1435	4893	75 dBA
EN12900 / R449A	50 Hz	1435	4893	75 dBA



Displacement (cc)	68
Net Weight (Kg)	34.0
Oil Quantity (cc)	1140.0
Oil Type	Polyolester
Expansion Device	Capillary_Tube/Expansion_Valve
Cooling	Fan
Main Winding (Ohm)	0.75
Start Winding (Ohm)	2.02
Current	
RLA (A)	11
MCC (A)	24
LRA (A)	71
Electrical Equipment	CSR
Overload	Interne
Start Capacitor	161 µF / 330 V
Run Capacitor	60 µF / 400 V
Potential Relay	RVA3AH**
Pick Up	190/215V
Drop Out	40/105V
Refrigerating connection for OD	
Suction Tube	15.9 (5/8")
Discharge Tube	12.7 (1/2")
Process Tube	6.35 (1/4")

* EN12900 : T°Cond. 40.0°C / T°Evap. -35.0°C / T°Return gas temp.. 20.0°C
T°Subcooling. 0.0K

Certificates :



Note : Tecumseh reserves the right to change information contained in this document without notification.



Tecumseh

FH2511Z-XC	Tension XC : 220 - 240V 1~ 50 Hz
-------------------	---

Les performances sont données dans les conditions EN12900 :	Gaz aspirés :	20.0 °C
Condition Dew	Sous refroidissement :	0.0 K
The performance data are in EN12900 conditions :	Return gas :	20.0 °C
Dew Condition	Subcooling :	0.0 K

50 Hz R452A									
N°User-198									
4 T condensation	5 T évaporation	(°C)	-40	-35	-30	-25	-20	-15	-10
30	1 P frigorifique	(Watt)	1491	2217	3117	4214	5527	7079	8892
	2 P absorbée	(W)	1201	1482	1761	2034	2295	2537	2756
	3 I absorbée	(A)	7.01	7.40	7.83	8.29	8.80	9.35	9.94
40	1 P frigorifique	(Watt)	994	1639	2435	3402	4562	5937	7548
	2 P absorbée	(W)	1100	1430	1767	2106	2441	2767	3078
	3 I absorbée	(A)	6.73	7.29	7.88	8.52	9.18	9.89	10.6
50	1 P frigorifique	(Watt)		1065	1744	2570	3566	4751	6149
	2 P absorbée	(W)		1298	1695	2101	2512	2922	3325
	3 I absorbée	(A)		6.92	7.69	8.50	9.34	10.2	11.1
60	1 P frigorifique	(Watt)				1743	2561	3546	4717
	2 P absorbée	(W)				2008	2496	2992	3489
	3 I absorbée	(A)				8.22	9.25	10.3	11.4

50 Hz R404A									
N°User-197									
4 T condensation	5 T évaporation	(°C)	-40	-35	-30	-25	-20	-15	-10
30	1 P frigorifique	(Watt)	1681	2431	3355	4472	5802	7365	9181
	2 P absorbée	(W)	1315	1607	1896	2175	2439	2682	2899
	3 I absorbée	(A)	7.68	8.03	8.42	8.87	9.35	9.88	10.5
40	1 P frigorifique	(Watt)	1168	1832	2642	3620	4783	6154	7750
	2 P absorbée	(W)	1232	1575	1923	2270	2610	2938	3247
	3 I absorbée	(A)	7.53	8.03	8.58	9.17	9.81	10.5	11.2
50	1 P frigorifique	(Watt)		1242	1928	2754	3741	4907	6273
	2 P absorbée	(W)		1470	1877	2292	2709	3122	3525
	3 I absorbée	(A)		7.82	8.53	9.28	10.1	10.9	11.8
60	1 P frigorifique	(Watt)			1237	1901	2698	3649	4773
	2 P absorbée	(W)			1753	2237	2731	3230	3727
	3 I absorbée	(A)			8.26	9.17	10.1	11.1	12.2

1 = cooling capacity 2 = power input 3 = current 4 = condensing temperature 5 = evaporating temperature

Nota : Tecumseh se réserve le droit de modifier les informations contenues dans ce document sans préavis.

Note : Tecumseh reserves the right to change information contained in this document without notification.

© 2021 Tecumseh Products Company
All rights reserved



Tecumseh

FH2511Z-XC	Tension XC : 220 - 240V 1~ 50 Hz
-------------------	---

Les performances sont données dans les conditions EN12900 :	Gaz aspirés :	20.0 °C
Condition Dew	Sous refroidissement :	0.0 K
The performance data are in EN12900 conditions :	Return gas :	20.0 °C
Dew Condition	Subcooling :	0.0 K

50 Hz R448A (*)								
N°User-200								
4 T condensation	5 T évaporation	(°C)	-35	-30	-25	-20	-15	-10
30	1 P frigorifique	(Watt)	1943	2785	3821	5076	6574	8339
	2 P absorbée	(W)	1373	1641	1905	2158	2395	2608
	3 I absorbée	(A)	6.86	7.30	7.77	8.28	8.82	9.40
40	1 P frigorifique	(Watt)	1435	2189	3117	4244	5594	7190
	2 P absorbée	(W)	1316	1640	1969	2295	2614	2918
	3 I absorbée	(A)	6.71	7.32	7.96	8.64	9.34	10.1
50	1 P frigorifique	(Watt)	924	1582	2394	3385	4578	5998
	2 P absorbée	(W)	1183	1564	1958	2359	2761	3158
	3 I absorbée	(A)	6.31	7.10	7.92	8.78	9.66	10.6
60	1 P frigorifique	(Watt)			1680	2526	3555	4790
	2 P absorbée	(W)			1865	2341	2827	3317
	3 I absorbée	(A)			7.64	8.67	9.74	10.8

50 Hz R449A (*)								
N°User-199								
4 T condensation	5 T évaporation	(°C)	-35	-30	-25	-20	-15	-10
30	1 P frigorifique	(Watt)	1943	2785	3821	5076	6574	8339
	2 P absorbée	(W)	1373	1641	1905	2158	2395	2608
	3 I absorbée	(A)	6.86	7.30	7.77	8.28	8.82	9.40
40	1 P frigorifique	(Watt)	1435	2189	3117	4244	5594	7190
	2 P absorbée	(W)	1316	1640	1969	2295	2614	2918
	3 I absorbée	(A)	6.71	7.32	7.96	8.64	9.34	10.1
50	1 P frigorifique	(Watt)	924	1582	2394	3385	4578	5998
	2 P absorbée	(W)	1183	1564	1958	2359	2761	3158
	3 I absorbée	(A)	6.31	7.10	7.92	8.78	9.66	10.6
60	1 P frigorifique	(Watt)			1680	2526	3555	4790
	2 P absorbée	(W)			1865	2341	2827	3317
	3 I absorbée	(A)			7.64	8.67	9.74	10.8

1 = cooling capacity 2 = power input 3 = current 4 = condensing temperature 5 = evaporating temperature

(*) Veuillez vous référer strictement aux Recommandations d'Utilisation et Bulletins Marketing Tecumseh du fait de la température de reflux élevée pour les applications LBP.
 (*) Due to very high discharge temperature especially on LBP conditions, please strictly refer to Tecumseh Guidelines & Marketing Bulletin when using this refrigerant.

Nota : Tecumseh se réserve le droit de modifier les informations contenues dans ce document sans préavis.

Note : Tecumseh reserves the right to change information contained in this document without notification.

© 2021 Tecumseh Products Company
All rights reserved