



Compressor  
Voltage Code : XC

**FH4518Y-XC**

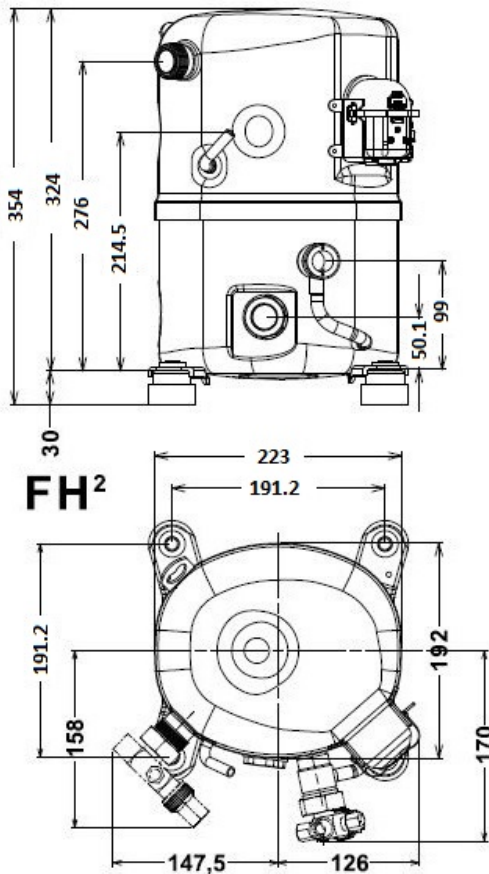
High Temp. Commercial (HP)

220 - 240V 1~ 50 Hz

R134a / R513A

**FH4518Y-XC3A**

| Conditions         | Frequency | Nominal Cooling Capacity |       | Sound Power<br>ISO3745 / ISO 3743-1 |
|--------------------|-----------|--------------------------|-------|-------------------------------------|
|                    |           | Watts                    | BTU/h |                                     |
| EN12900_HP / R134a | 50 Hz     | 3966                     | 13524 | 70 dBA                              |
| EN12900_HP / R513A | 50 Hz     | 4036                     | 13763 | 70 dBA                              |



|  |                                |
|--|--------------------------------|
| <b>Displacement (cc)</b>               | 48,5                           |
| <b>Net Weight (Kg)</b>                 | 30.0                           |
| <b>Oil Quantity (cc)</b>               | 1140.0                         |
| <b>Oil Type</b>                        | Polyolester                    |
| <b>Expansion Device</b>                | Capillary_Tube/Expansion_Valve |
| <b>Cooling</b>                         | Fan                            |
| <b>Main Winding (Ohm)</b>              | 1.95                           |
| <b>Start Winding (Ohm)</b>             | 5.51                           |
| <b>Current</b>                         |                                |
| RLA (A)                                | 6.75                           |
| MCC (A)                                | 10.7                           |
| LRA (A)                                | 40                             |
| <b>Electrical Equipment</b>            | CSR                            |
| <b>Overload</b>                        | Interne                        |
| <b>Start Capacitor</b>                 | 88 µF / 330 V                  |
| <b>Run Capacitor</b>                   | 35 µF / 400 V                  |
| <b>Potential Relay</b>                 | RVA4G**                        |
| Pick Up                                | 180/195V                       |
| Drop Out                               | 40/105V                        |
| <b>Refrigerating connection for OD</b> |                                |
| Suction Tube                           | 15.9 (5/8")                    |
| Discharge Tube                         | 12.7 (1/2")                    |
| Process Tube                           | 6.35 (1/4")                    |

\* EN12900\_HP : T°Cond. 50.0°C / T°Evap. 5.0°C / T°Return gas temp.. 20.0°C  
T°Subcooling. 0.0K

Certificates :



Note : Tecumseh reserves the right to change information contained in this document without notification.



**Tecumseh**

|                   |   |
|-------------------|---|
| <b>FH4518Y-XC</b> | <b>Tension XC : 220 - 240V 1~ 50 Hz</b> |
|-------------------|---|

Les performances sont données dans les **conditions EN12900\_HP** :  
 Condition Dew  
 The performance data are in **EN12900\_HP conditions** :  
 Dew Condition

Gaz aspirés : 20.0 °C  
 Sous refroidissement : 0.0 K  
 Return gas : 20.0 °C  
 Subcooling : 0.0 K

© 2021 Tecumseh Products Company  
All rights reserved

### 50 Hz R134a

**N°User-353**

| 4   T condensation | 5   T évaporation  | (°C)   | -25  | -20  | -15  | -10  | -5   | 0    | 5    | 10   | 15   |
|--------------------|--------------------|--------|------|------|------|------|------|------|------|------|------|
| <b>30</b>          | 1   P frigorifique | (Watt) | 1059 | 1523 | 2090 | 2778 | 3604 | 4584 | 5735 | 7074 | 8618 |
|                    | 2   P absorbée     | (W)    | 604  | 704  | 793  | 875  | 952  | 1029 | 1109 | 1196 | 1293 |
|                    | 3   I absorbée     | (A)    | 2.92 | 3.38 | 3.82 | 4.22 | 4.60 | 4.94 | 5.26 | 5.55 | 5.81 |
| <b>40</b>          | 1   P frigorifique | (Watt) | 777  | 1193 | 1687 | 2277 | 2979 | 3810 | 4787 | 5928 | 7248 |
|                    | 2   P absorbée     | (W)    | 579  | 716  | 839  | 949  | 1051 | 1149 | 1246 | 1345 | 1450 |
|                    | 3   I absorbée     | (A)    | 2.72 | 3.31 | 3.88 | 4.41 | 4.92 | 5.40 | 5.85 | 6.27 | 6.66 |
| <b>50</b>          | 1   P frigorifique | (Watt) |      | 892  | 1332 | 1843 | 2441 | 3143 | 3966 | 4927 | 6043 |
|                    | 2   P absorbée     | (W)    |      | 685  | 851  | 1002 | 1140 | 1269 | 1393 | 1515 | 1640 |
|                    | 3   I absorbée     | (A)    |      | 3.22 | 3.91 | 4.58 | 5.22 | 5.83 | 6.41 | 6.96 | 7.49 |
| <b>60</b>          | 1   P frigorifique | (Watt) |      |      | 1006 | 1457 | 1971 | 2564 | 3252 | 4054 | 4985 |
|                    | 2   P absorbée     | (W)    |      |      | 819  | 1020 | 1204 | 1376 | 1538 | 1695 | 1850 |
|                    | 3   I absorbée     | (A)    |      |      | 3.93 | 4.73 | 5.50 | 6.24 | 6.95 | 7.64 | 8.29 |

### 50 Hz R513A

**N°User-354**

| 4   T condensation | 5   T évaporation  | (°C)   | -25  | -20  | -15  | -10  | -5   | 0    | 5    | 10   | 15   |
|--------------------|--------------------|--------|------|------|------|------|------|------|------|------|------|
| <b>30</b>          | 1   P frigorifique | (Watt) | 1219 | 1722 | 2318 | 3020 | 3840 | 4792 | 5888 | 7140 | 8563 |
|                    | 2   P absorbée     | (W)    | 671  | 772  | 859  | 937  | 1014 | 1097 | 1194 | 1311 | 1456 |
|                    | 3   I absorbée     | (A)    | 3.24 | 3.71 | 4.13 | 4.52 | 4.90 | 5.27 | 5.66 | 6.08 | 6.55 |
| <b>40</b>          | 1   P frigorifique | (Watt) | 875  | 1320 | 1839 | 2446 | 3154 | 3975 | 4922 | 6008 | 7246 |
|                    | 2   P absorbée     | (W)    | 631  | 778  | 903  | 1012 | 1112 | 1211 | 1317 | 1435 | 1574 |
|                    | 3   I absorbée     | (A)    | 2.96 | 3.60 | 4.17 | 4.70 | 5.20 | 5.69 | 6.18 | 6.69 | 7.23 |
| <b>50</b>          | 1   P frigorifique | (Watt) |      | 973  | 1421 | 1938 | 2537 | 3233 | 4036 | 4961 | 6020 |
|                    | 2   P absorbée     | (W)    |      | 729  | 907  | 1062 | 1200 | 1331 | 1459 | 1594 | 1741 |
|                    | 3   I absorbée     | (A)    |      | 3.42 | 4.17 | 4.85 | 5.50 | 6.12 | 6.72 | 7.33 | 7.95 |
| <b>60</b>          | 1   P frigorifique | (Watt) |      |      | 1069 | 1501 | 1998 | 2572 | 3237 | 4004 | 4888 |
|                    | 2   P absorbée     | (W)    |      |      | 855  | 1070 | 1263 | 1439 | 1606 | 1772 | 1943 |
|                    | 3   I absorbée     | (A)    |      |      | 4.10 | 4.96 | 5.77 | 6.53 | 7.26 | 7.98 | 8.71 |

1 = cooling capacity 2 = power input 3 = current 4 = condensing temperature 5 = evaporating temperature

**Nota : Tecumseh se réserve le droit de modifier les informations contenues dans ce document sans préavis.**

**Note : Tecumseh reserves the right to change information contained in this document without notification.**