



Compressor  
Voltage Code : XC

**FH4538Z-XC**

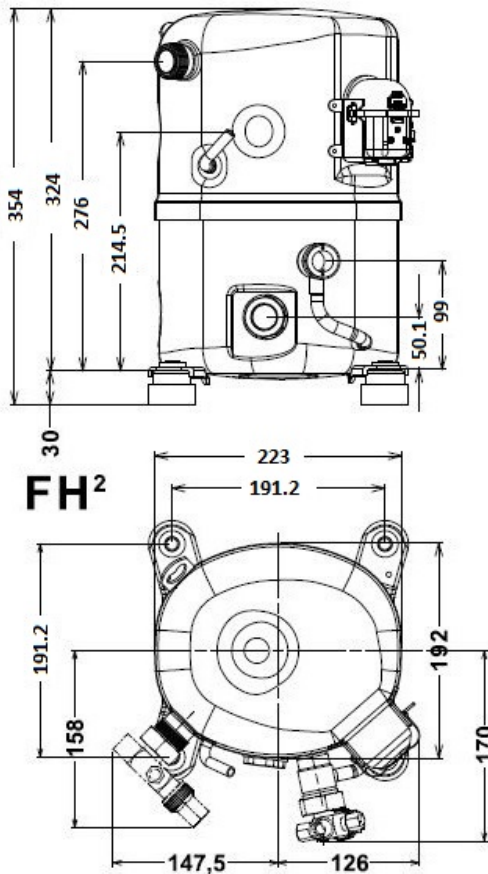
High Temp. Commercial (HP)

220 - 240V 1~ 50 Hz

R452A / R404A / R448A / R449A

**FH4538Z-XC3A**

Conditions	Frequency	Nominal Cooling Capacity		Sound Power ISO3745 / ISO 3743-1
		Watts	BTU/h	
EN12900_HP / R452A	50 Hz	8219	28027	75 dBA
EN12900_HP / R404A	50 Hz	8030	27382	75 dBA
EN12900_HP / R448A	50 Hz	8231	28069	75 dBA
EN12900_HP / R449A	50 Hz	8231	28069	75 dBA



<b>Displacement (cc)</b>	63
<b>Net Weight (Kg)</b>	32.0
<b>Oil Quantity (cc)</b>	1140.0
<b>Oil Type</b>	Polyolester
<b>Expansion Device</b>	Capillary_Tube/Expansion_Valve
<b>Cooling</b>	Fan
<b>Main Winding (Ohm)</b>	0.79
<b>Start Winding (Ohm)</b>	2.71
<b>Current</b>	
RLA (A)	16
MCC (A)	26
LRA (A)	78
<b>Electrical Equipment</b>	CSR
<b>Overload</b>	Interne
<b>Start Capacitor</b>	145 µF / 330 V
<b>Run Capacitor</b>	50 µF / 400 V
<b>Potential Relay</b>	RVA4G**
Pick Up	180/195V
Drop Out	40/105V
<b>Refrigerating connection for OD</b>	
Suction Tube	22.2 (7/8")
Discharge Tube	12.7 (1/2")
Process Tube	6.35 (1/4")

\* EN12900\_HP : T°Cond. 50.0°C / T°Evap. 5.0°C / T°Return gas temp.. 20.0°C  
T°Subcooling. 0.0K

Certificates :



Note : Tecumseh reserves the right to change information contained in this document without notification.



**Tecumseh**

<b>FH4538Z-XC</b>	<b>Tension XC : 220 - 240V 1~ 50 Hz</b>
-------------------	---

Les performances sont données dans les **conditions EN12900\_HP** :  
 Condition Dew  
 The performance data are in **EN12900\_HP conditions** :  
 Dew Condition

Gaz aspirés : 20.0 °C  
 Sous refroidissement : 0.0 K  
 Return gas : 20.0 °C  
 Subcooling : 0.0 K

© 2021 Tecumseh Products Company  
All rights reserved

**50 Hz R452A**

**N°User-321**

4   T condensation	5   T évaporation	(°C)	-25	-20	-15	-10	-5	0	5	10	15
<b>30</b>	1   P frigorifique	(Watt)	2949	3939	5088	6422	7970	9756	11807	14150	16812
	2   P absorbée	(W)	1574	1773	1947	2098	2228	2337	2428	2503	2563
	3   I absorbée	(A)	7.82	8.57	9.30	9.98	10.6	11.2	11.6	12.0	12.3
<b>40</b>	1   P frigorifique	(Watt)		3166	4204	5386	6739	8290	10065	12091	14394
	2   P absorbée	(W)		1853	2094	2310	2503	2675	2827	2962	3080
	3   I absorbée	(A)		8.97	9.96	10.9	11.8	12.5	13.2	13.8	14.3
<b>50</b>	1   P frigorifique	(Watt)			3284	4297	5439	6738	8219	9910	11837
	2   P absorbée	(W)			2172	2459	2722	2963	3183	3384	3568
	3   I absorbée	(A)			10.3	11.6	12.8	13.9	14.9	15.8	16.5
<b>60</b>	1   P frigorifique	(Watt)				3188	4102	5132	6302	7641	9175
	2   P absorbée	(W)				2545	2885	3201	3495	3769	4025
	3   I absorbée	(A)				11.8	13.4	14.9	16.3	17.6	18.7

**50 Hz R404A**

**N°User-320**

4   T condensation	5   T évaporation	(°C)	-25	-20	-15	-10	-5	0	5	10	15
<b>30</b>	1   P frigorifique	(Watt)	3111	4068	5186	6490	8002	9748	11751	14035	16624
	2   P absorbée	(W)	1638	1833	2003	2148	2267	2360	2425	2463	2472
	3   I absorbée	(A)	8.17	8.90	9.61	10.3	10.9	11.3	11.7	11.9	11.9
<b>40</b>	1   P frigorifique	(Watt)	2429	3306	4301	5439	6742	8236	9943	11889	14096
	2   P absorbée	(W)	1669	1922	2152	2360	2544	2705	2841	2952	3037
	3   I absorbée	(A)	8.38	9.33	10.3	11.2	12.0	12.7	13.4	13.9	14.2
<b>50</b>	1   P frigorifique	(Watt)		2517	3374	4329	5408	6633	8030	9621	11431
	2   P absorbée	(W)		1960	2248	2516	2764	2991	3196	3378	3538
	3   I absorbée	(A)		9.53	10.7	11.9	13.0	14.1	15.0	15.8	16.5
<b>60</b>	1   P frigorifique	(Watt)			2438	3196	4034	4976	6046	7268	8665
	2   P absorbée	(W)			2310	2637	2946	3237	3508	3760	3992
	3   I absorbée	(A)			10.8	12.3	13.8	15.1	16.4	17.6	18.6

1 = cooling capacity 2 = power input 3 = current 4 = condensing temperature 5 = evaporating temperature

**Nota : Tecumseh se réserve le droit de modifier les informations contenues dans ce document sans préavis.**

**Note : Tecumseh reserves the right to change information contained in this document without notification.**



**Tecumseh**

<b>FH4538Z-XC</b>	<b>Tension XC : 220 - 240V 1~ 50 Hz</b>
-------------------	---

Les performances sont données dans les <b>conditions EN12900_HP :</b> Condition Dew	Gaz aspirés : 20.0 °C Sous refroidissement : 0.0 K
The performance data are in <b>EN12900_HP conditions :</b> Dew Condition	Return gas : 20.0 °C Subcooling : 0.0 K

© 2021 Tecumseh Products Company  
All rights reserved

**50 Hz R448A (\*)**

**N°User-323**

4   T condensation	5   T évaporation	(°C)	-25	-20	-15	-10	-5	0	5	10	15
<b>30</b>	1   P frigorifique	(Watt)	2625	3559	4664	5969	7502	9292	11367	13757	16489
	2   P absorbée	(W)	1484	1665	1828	1972	2094	2193	2266	2311	2326
	3   I absorbée	(A)	7.37	8.05	8.73	9.39	9.98	10.5	10.9	11.1	11.1
<b>40</b>	1   P frigorifique	(Watt)		2911	3911	5075	6432	8009	9836	11942	14354
	2   P absorbée	(W)		1751	1970	2173	2358	2522	2664	2780	2870
	3   I absorbée	(A)		8.47	9.37	10.2	11.1	11.8	12.5	13.0	13.3
<b>50</b>	1   P frigorifique	(Watt)			3127	4140	5309	6663	8231	10042	12123
	2   P absorbée	(W)			2063	2328	2578	2811	3025	3217	3386
	3   I absorbée	(A)			9.81	11.0	12.1	13.2	14.2	15.0	15.7
<b>60</b>	1   P frigorifique	(Watt)				3209	4180	5300	6598	8102	9842
	2   P absorbée	(W)				2442	2761	3066	3356	3627	3878
	3   I absorbée	(A)				11.3	12.8	14.3	15.7	16.9	18.0

**50 Hz R449A (\*)**

**N°User-322**

4   T condensation	5   T évaporation	(°C)	-25	-20	-15	-10	-5	0	5	10	15
<b>30</b>	1   P frigorifique	(Watt)	2625	3559	4664	5969	7502	9292	11367	13757	16489
	2   P absorbée	(W)	1484	1665	1828	1972	2094	2193	2266	2311	2326
	3   I absorbée	(A)	7.37	8.05	8.73	9.39	9.98	10.5	10.9	11.1	11.1
<b>40</b>	1   P frigorifique	(Watt)		2911	3911	5075	6432	8009	9836	11942	14354
	2   P absorbée	(W)		1751	1970	2173	2358	2522	2664	2780	2870
	3   I absorbée	(A)		8.47	9.37	10.2	11.1	11.8	12.5	13.0	13.3
<b>50</b>	1   P frigorifique	(Watt)			3127	4140	5309	6663	8231	10042	12123
	2   P absorbée	(W)			2063	2328	2578	2811	3025	3217	3386
	3   I absorbée	(A)			9.81	11.0	12.1	13.2	14.2	15.0	15.7
<b>60</b>	1   P frigorifique	(Watt)				3209	4180	5300	6598	8102	9842
	2   P absorbée	(W)				2442	2761	3066	3356	3627	3878
	3   I absorbée	(A)				11.3	12.8	14.3	15.7	16.9	18.0

1 = cooling capacity 2 = power input 3 = current 4 = condensing temperature 5 = evaporating temperature

(\*) Veuillez vous référer strictement aux Recommandations d'Utilisation et Bulletins Marketing Tecumseh du fait de la température de reflux élevée pour les applications LBP.

(\*) Due to very high discharge temperature especially on LBP conditions, please strictly refer to Tecumseh Guidelines & Marketing Bulletin when using this refrigerant.

**Nota : Tecumseh se réserve le droit de modifier les informations contenues dans ce document sans préavis.**

**Note : Tecumseh reserves the right to change information contained in this document without notification.**