



Compressor
Voltage Code : FZ

CAJ9480T-FZ

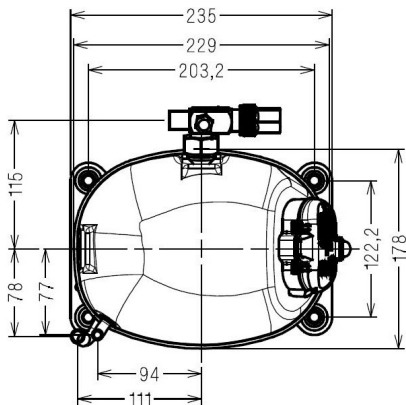
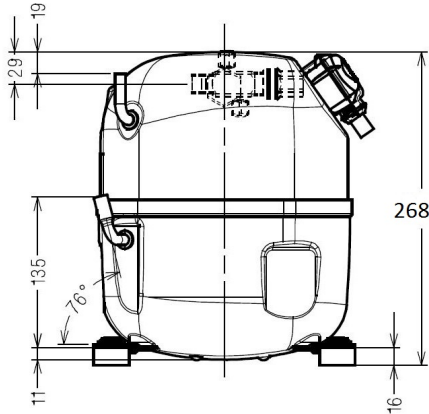
High Temp. Commercial (MHP)

220 - 240V 1~ 50 Hz

R22

AJK480T-FZ3B

Conditions	Frequency	Nominal Cooling Capacity		Sound Power ISO3745 / ISO 3743-1
		Watts	BTU/h	
EN12900_HP / R22	50 Hz	1854	6322	



Displacement (cc)	15,2
Net Weight (Kg)	19.1
Oil Quantity (cc)	475.0
Oil Type	Synthetic_Alkylate
Expansion Device	Capillary_Tube/Expansion_Valve
Cooling	Fan
Main Winding (Ohm)	3.8
Start Winding (Ohm)	12.5
Current	
RLA (A)	3.9
MCC (A)	5.3
LRA (A)	24.1
Electrical Equipment	CSR
Overload	
Time Check	MST22ALK
Open Temp	7.5s - 14s / 15.3 A
Close Temp	105° C
Optional	61° C
	T0155
Start Capacitor	88 µF / 250 V
Run Capacitor	15 µF / 400 V
Potential Relay	
Pick Up	RVA4I**
Drop Out	204/233V
Optional	50/110V
	3ARR3*6AU*
Refrigerating connection for OD	
Suction Tube	12.7 (1/2")
Discharge Tube	7.9 (5/16")
Process Tube	6.35 (1/4")

* EN12900_HP : T°Cond. 50.0°C / T°Evap. 5.0°C / T°Return gas temp.. 20.0°C
T°Subcooling. 0.0K

Certificates :



Note : Tecumseh reserves the right to change information contained in this document without notification.



Tecumseh

CAJ9480T-FZ	Tension FZ : 220 - 240V 1~ 50 Hz
--------------------	---

Les performances sont données dans les conditions EN12900_HP : Condition Dew	Gaz aspirés : 20.0 °C Sous refroidissement : 0.0 K
The performance data are in EN12900_HP conditions : Dew Condition	Return gas : 20.0 °C Subcooling : 0.0 K

50 Hz R22

N°234CT-FZ

4 T condensation	5 T évaporation	(°C)	-20	-15	-10	-5	0	5	10	15
40	1 P frigorifique	(Watt)	711	913	1154	1440	1779	2179	2646	3188
	2 P absorbée	(W)	497	547	592	633	668	698	724	745
	3 I absorbée	(A)	2.44	2.66	2.87	3.05	3.21	3.35	3.46	3.55
50	1 P frigorifique	(Watt)	582	762	971	1218	1510	1854	2257	2727
	2 P absorbée	(W)	509	576	637	694	745	791	832	868
	3 I absorbée	(A)	2.47	2.77	3.06	3.31	3.55	3.76	3.95	4.12
60	1 P frigorifique	(Watt)		610	791	1001	1248	1539	1881	2281
	2 P absorbée	(W)		588	669	744	814	879	938	992
	3 I absorbée	(A)		2.85	3.21	3.55	3.86	4.14	4.41	4.65

© 2021 Tecumseh Products Company
All rights reserved

1 = cooling capacity 2 = power input 3 = current 4 = condensing temperature 5 = evaporating temperature

Nota : Tecumseh se réserve le droit de modifier les informations contenues dans ce document sans préavis.

Note : Tecumseh reserves the right to change information contained in this document without notification.