



Compressor  
Voltage Code : FZ

**FH4522F**

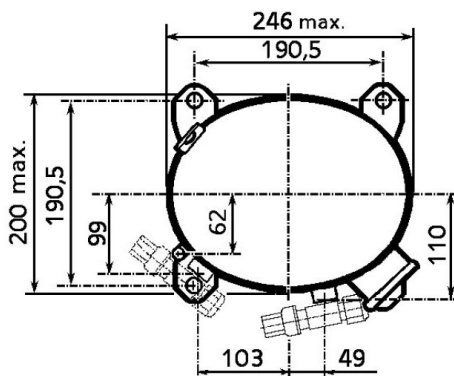
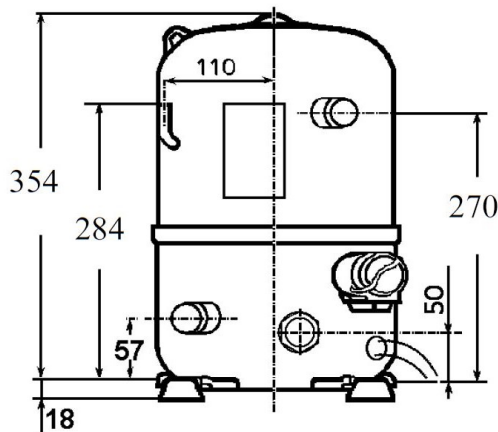
High Temp. Commercial (HP)

220 - 240V 1~ 50 Hz

R22

**AHC4522EFZ**

Conditions	Frequency	Nominal Cooling Capacity		Sound Power ISO3745 / ISO 3743-1
		Watts	BTU/h	
EN12900_HP / R22	50 Hz	4829	16469	67 dBA



<b>Displacement (cc)</b>	39,95
<b>Net Weight (Kg)</b>	32.0
<b>Oil Quantity (cc)</b>	1330.0
<b>Oil Type</b>	Mineral
<b>Expansion Device</b>	Capillary_Tube/Expansion_Valve
<b>Cooling</b>	Fan
<b>Main Winding (Ohm)</b>	1.3
<b>Start Winding (Ohm)</b>	4.21
<b>Current</b>	
RLA (A)	8.4
MCC (A)	12.1
LRA (A)	46
<b>Electrical Equipment</b>	CSR
<b>Overload</b>	Interne
<b>Start Capacitor</b>	125 µF / 330 V
<b>Run Capacitor</b>	30 µF / 400 V
<b>Potential Relay</b>	RVA4I**
Pick Up	204/233V
Drop Out	50/110V
Optional	3ARR3*6AU*
<b>Refrigerating connection for OD</b>	
Suction Tube	15.9 (5/8")
Discharge Tube	12.7 (1/2")
Process Tube	6.35 (1/4")

\* EN12900\_HP : T°Cond. 50.0°C / T°Evap. 5.0°C / T°Return gas temp.. 20.0°C  
T°Subcooling. 0.0K

Certificates :



Note : Tecumseh reserves the right to change information contained in this document without notification.



**Tecumseh**

<b>FH4522F</b>	<b>Tension FZ : 220 - 240V 1~ 50 Hz</b>
----------------	---

Les performances sont données dans les <b>conditions EN12900_HP :</b> Condition Dew	Gaz aspirés : 20.0 °C Sous refroidissement : 0.0 K
The performance data are in <b>EN12900_HP conditions :</b> Dew Condition	Return gas : 20.0 °C Subcooling : 0.0 K

**50 Hz R22**

**N°236CT-F**

4   T condensation	5   T évaporation	(°C)	-20	-15	-10	-5	0	5	10	15
<b>40</b>	1   P frigorifique	(Watt)	1643	2210	2903	3719	4655	5705	6867	8136
	2   P absorbée	(W)	1216	1303	1396	1494	1596	1704	1816	1933
	3   I absorbée	(A)	5.31	5.89	6.42	6.92	7.38	7.81	8.20	8.55
<b>50</b>	1   P frigorifique	(Watt)	1283	1774	2379	3092	3911	4829	5845	6951
	2   P absorbée	(W)	1149	1291	1434	1579	1725	1872	2020	2170
	3   I absorbée	(A)	5.00	5.75	6.47	7.15	7.80	8.42	8.99	9.54
<b>60</b>	1   P frigorifique	(Watt)		1311	1836	2457	3167	3964	4842	5795
	2   P absorbée	(W)		1278	1473	1665	1854	2042	2227	2410
	3   I absorbée	(A)		5.64	6.53	7.40	8.23	9.03	9.79	10.5

© 2021 Tecumseh Products Company  
All rights reserved

1 = cooling capacity 2 = power input 3 = current 4 = condensing temperature 5 = evaporating temperature

**Nota : Tecumseh se réserve le droit de modifier les informations contenues dans ce document sans préavis.**

**Note : Tecumseh reserves the right to change information contained in this document without notification.**