



Compressor
Voltage Code : FZ

FH4540Z

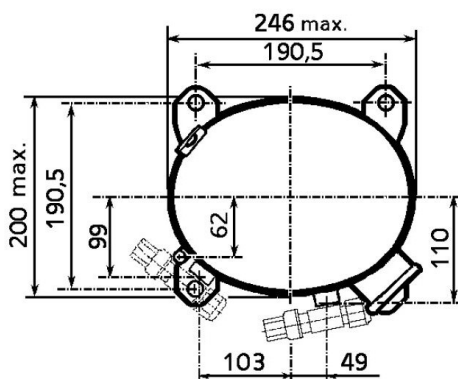
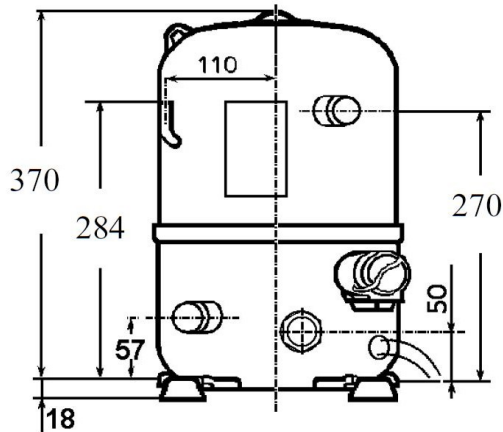
High Temp. Commercial (HP)

220 - 240V 1~ 50 Hz

R452A / R404A / R448A / R449A

AHC4540ZFZ

Conditions	Frequency	Nominal Cooling Capacity		Sound Power ISO3745 / ISO 3743-1
		Watts	BTU/h	
EN12900_HP / R452A	50 Hz	8450	28814	80 dBA
EN12900_HP / R404A	50 Hz	8349	28471	80 dBA
EN12900_HP / R448A	50 Hz	8668	29559	80 dBA
EN12900_HP / R449A	50 Hz	8654	29510	80 dBA



* EN12900_HP : T°Cond. 50.0°C / T°Evap. 5.0°C / T°Return gas temp.. 20.0°C
T°Subcooling. 0.0K

Certificates :



Displacement (cc)	74,2
Net Weight (Kg)	36.0
Oil Quantity (cc)	1330.0
Oil Type	Polyolester
Expansion Device	Capillary_Tube/Expansion_Valve
Cooling	Fan
Main Winding (Ohm)	0.5
Start Winding (Ohm)	2.8
Current	
RLA (A)	19.4
MCC (A)	27
LRA (A)	88
Electrical Equipment	CSR
Overload	Interne
Start Capacitor	156 µF / 330 V
Run Capacitor	45 µF / 400 V
Potential Relay	RVA6M**
Pick Up	239/268V
Drop Out	60/135V
Optional	3ARR3*4AA*
Refrigerating connection for OD	
Suction Tube	22.2 (7/8")
Discharge Tube	12.7 (1/2")
Process Tube	6.35 (1/4")

Note : Tecumseh reserves the right to change information contained in this document without notification.





Tecumseh

FH4540Z	Tension FZ : 220 - 240V 1~ 50 Hz
----------------	-----------------------------------------

Les performances sont données dans les **conditions EN12900_HP** :
 Condition Mid
 Gaz aspirés : 20.0 °C
 Sous refroidissement : 0.0 K

The performance data are in **EN12900_HP conditions** :
 Mid Condition
 Return gas : 20.0 °C
 Subcooling : 0.0 K

50 Hz R452A											
 N°2128											
4 T condensation	5 T évaporation	(°C)	-25	-20	-15	-10	-5	0	5	10	15
30	1 P frigorifique	(Watt)	2983	4012	5222	6633	8267	10144	12287	14716	17451
	2 P absorbée	(W)	1873	2125	2378	2637	2906	3190	3494	3823	4180
	3 I absorbée	(A)	10.0	10.9	11.9	13.0	14.2	15.5	16.8	18.3	19.8
40	1 P frigorifique	(Watt)		3260	4343	5577	6983	8582	10395	12443	14746
	2 P absorbée	(W)		2189	2486	2785	3090	3405	3736	4087	4463
	3 I absorbée	(A)		11.1	12.2	13.4	14.7	16.1	17.6	19.2	20.8
50	1 P frigorifique	(Watt)			3363	4431	5621	6954	8450	10130	12016
	2 P absorbée	(W)			2515	2860	3208	3562	3928	4309	4710
	3 I absorbée	(A)			12.4	13.7	15.1	16.6	18.2	19.9	21.7
60	1 P frigorifique	(Watt)				3167	4153	5232	6425	7752	9235
	2 P absorbée	(W)				2840	3237	3637	4044	4463	4897
	3 I absorbée	(A)				13.8	15.3	17.0	18.7	20.5	22.4

50 Hz R404A											
 N°226LT-F											
4 T condensation	5 T évaporation	(°C)	-25	-20	-15	-10	-5	0	5	10	15
30	1 P frigorifique	(Watt)	3081	4092	5276	6654	8244	10064	12133	14472	17097
	2 P absorbée	(W)	1916	2163	2409	2660	2919	3190	3478	3787	4121
	3 I absorbée	(A)	10.4	11.3	12.2	13.3	14.4	15.6	16.9	18.2	19.6
40	1 P frigorifique	(Watt)	2417	3359	4423	5628	6993	8538	10280	12239	14434
	2 P absorbée	(W)	1959	2253	2543	2832	3125	3427	3741	4071	4422
	3 I absorbée	(A)	10.5	11.5	12.6	13.8	15.0	16.3	17.7	19.2	20.7
50	1 P frigorifique	(Watt)		2505	3457	4499	5648	6926	8349	9938	11710
	2 P absorbée	(W)		2262	2601	2936	3271	3610	3956	4315	4690
	3 I absorbée	(A)		11.7	12.8	14.1	15.5	16.9	18.4	20.0	21.7
60	1 P frigorifique	(Watt)			2350	3236	4179	5199	6312	7539	8899
	2 P absorbée	(W)			2563	2951	3334	3717	4103	4497	4903
	3 I absorbée	(A)			13.0	14.3	15.8	17.4	19.0	20.7	22.5

1 = cooling capacity 2 = power input 3 = current 4 = condensing temperature 5 = evaporating temperature

Nota : Tecumseh se réserve le droit de modifier les informations contenues dans ce document sans préavis.
Note : Tecumseh reserves the right to change information contained in this document without notification.

© 2021 Tecumseh Products Company
All rights reserved



Tecumseh

FH4540Z	Tension FZ : 220 - 240V 1~ 50 Hz
----------------	-----------------------------------------

Les performances sont données dans les conditions EN12900_HP :	Gaz aspirés :	20.0 °C
Condition Mid	Sous refroidissement :	0.0 K
The performance data are in EN12900_HP conditions :	Return gas :	20.0 °C
Mid Condition	Subcooling :	0.0 K

50 Hz R448A (*)											
											N°2854
4 T condensation	5 T évaporation	(°C)	-25	-20	-15	-10	-5	0	5	10	15
30	1 P frigorifique	(Watt)	2772	3791	4996	6410	8055	9956	12136	14616	17420
	2 P absorbée	(W)	1792	2025	2266	2516	2777	3053	3345	3657	3991
	3 I absorbée	(A)	9.50	10.4	11.3	12.4	13.5	14.8	16.1	17.4	18.9
40	1 P frigorifique	(Watt)		3097	4186	5438	6877	8526	10408	12547	14964
	2 P absorbée	(W)		2103	2384	2670	2964	3269	3587	3920	4272
	3 I absorbée	(A)		10.6	11.7	12.8	14.1	15.4	16.9	18.4	19.9
50	1 P frigorifique	(Watt)			3296	4403	5652	7066	8668	10482	12530
	2 P absorbée	(W)			2425	2762	3102	3449	3806	4174	4557
	3 I absorbée	(A)			11.9	13.2	14.6	16.1	17.6	19.3	21.0
60	1 P frigorifique	(Watt)				3289	4364	5560	6900	8406	10101
	2 P absorbée	(W)				2750	3150	3553	3962	4379	4806
	3 I absorbée	(A)				13.3	14.9	16.5	18.3	20.1	22.0

50 Hz R449A (*)											
											N°2244
4 T condensation	5 T évaporation	(°C)	-25	-20	-15	-10	-5	0	5	10	15
30	1 P frigorifique	(Watt)	2765	3783	4987	6399	8044	9943	12122	14602	17406
	2 P absorbée	(W)	1790	2023	2264	2513	2775	3050	3343	3655	3989
	3 I absorbée	(A)	9.49	10.4	11.3	12.4	13.5	14.7	16.1	17.4	18.9
40	1 P frigorifique	(Watt)		3089	4177	5428	6865	8513	10395	12532	14949
	2 P absorbée	(W)		2101	2382	2668	2962	3267	3585	3918	4270
	3 I absorbée	(A)		10.6	11.7	12.8	14.1	15.4	16.9	18.3	19.9
50	1 P frigorifique	(Watt)			3287	4393	5640	7053	8654	10466	12513
	2 P absorbée	(W)			2423	2759	3100	3447	3804	4173	4556
	3 I absorbée	(A)			11.9	13.2	14.6	16.1	17.6	19.3	21.0
60	1 P frigorifique	(Watt)				3277	4352	5546	6884	8388	10082
	2 P absorbée	(W)				2747	3147	3551	3960	4377	4805
	3 I absorbée	(A)				13.3	14.9	16.5	18.3	20.1	22.0

1 = cooling capacity 2 = power input 3 = current 4 = condensing temperature 5 = evaporating temperature

(*) Veuillez vous référer strictement aux Recommandations d'Utilisation et Bulletins Marketing Tecumseh du fait de la température de reflux élevée pour les applications LBP.
 (*) Due to very high discharge temperature especially on LBP conditions, please strictly refer to Tecumseh Guidelines & Marketing Bulletin when using this refrigerant.

Nota : Tecumseh se réserve le droit de modifier les informations contenues dans ce document sans préavis.
Note : Tecumseh reserves the right to change information contained in this document without notification.

© 2021 Tecumseh Products Company
All rights reserved