



Compressor  
Voltage Code : FZ

**FH5540E**

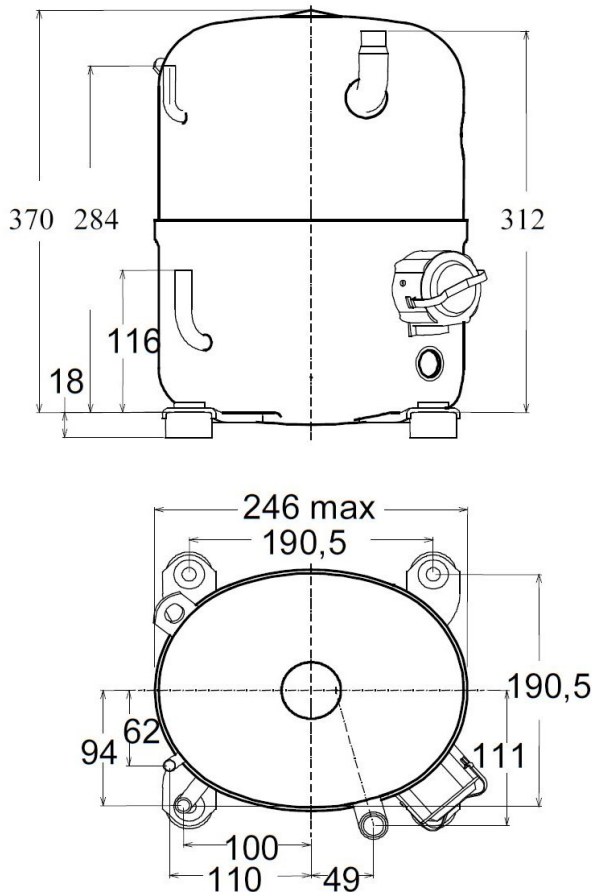
Air Conditioning & Heating (CA)

220 - 240V 1~ 50 Hz

**R22**

**AHC5540EFZ**

Conditions	Frequency	Nominal Cooling Capacity		Sound Power ISO3745 / ISO 3743-1
		Watts	BTU/h	
EN12900 / R22	50 Hz	9127	31123	77 dBA



<b>Displacement (cc)</b>	74,25
<b>Net Weight (Kg)</b>	33.0
<b>Oil Quantity (cc)</b>	1330.0
<b>Oil Type</b>	Mineral
<b>Expansion Device</b>	Capillary_Tube
<b>Cooling</b>	Fan
<b>Main Winding (Ohm)</b>	0.6
<b>Start Winding (Ohm)</b>	3.0
<b>Current</b>	
RLA (A)	18.6
MCC (A)	30.5
LRA (A)	94
<b>Electrical Equipment</b>	PTCSCR,CSR,PSC
<b>Overload</b>	Interne
<b>Start Capacitor</b>	100 µF / 330 V
<b>Run Capacitor</b>	40 µF / 400 V
<b>Potential Relay</b>	3ARR3*6AS*
Pick Up	180/195V
Drop Out	60/121V
Optional	RVA4G**
<b>PTC</b>	CTP305C2
Resistance	50 Ohms
<b>Refrigerating connection for OD</b>	
Suction Tube	19 (3/4")
Discharge Tube	9.5 (3/8")
Process Tube	6.35 (1/4")

\* EN12900 : T°Cond. 50.0°C / T°Evap. 5.0°C / T°Superheat. 10.0°C  
T°Subcooling. 0.0K

Certificates :



Note : Tecumseh reserves the right to change information contained in this document without notification.



**Tecumseh**

<b>FH5540E</b>	<b>Tension FZ : 220 - 240V 1~ 50 Hz</b>
----------------	---

Les performances sont données dans les <b>conditions EN12900</b> :	Surchauffe :	10.0 K
Condition Dew	Sous refroidissement :	0.0 K
The performance data are in <b>EN12900 conditions</b> :	Superheat :	10.0 K
Dew Condition	Subcooling :	0.0 K

**50 Hz R22**

**N°335YG-F**

4   T condensation	5   T évaporation	(°C)	-25	-20	-15	-10	-5	0	5	10	15
<b>40</b>	1   P frigorifique	(Watt)				5468	7124	8920	10856	12934	15153
	2   P absorbée	(W)				2619	2849	3087	3334	3589	3853
	3   I absorbée	(A)				13.6	14.5	15.5	16.5	17.5	18.5
<b>50</b>	1   P frigorifique	(Watt)					5857	7427	9127	10957	12916
	2   P absorbée	(W)					3006	3333	3666	4004	4347
	3   I absorbée	(A)					15.0	16.4	17.8	19.2	20.7
<b>60</b>	1   P frigorifique	(Watt)						5983	7459	9053	10766
	2   P absorbée	(W)						3584	4000	4418	4838
	3   I absorbée	(A)						17.3	19.1	20.9	22.8

© 2021 Tecumseh Products Company  
All rights reserved

1 = cooling capacity 2 = power input 3 = current 4 = condensing temperature 5 = evaporating temperature

**Nota : Tecumseh se réserve le droit de modifier les informations contenues dans ce document sans préavis.**

**Note : Tecumseh reserves the right to change information contained in this document without notification.**